

## Heavy-Duty

Ampere Rating	Catalog Number		General Electric	Siemens	Square D
	Eaton				
<b>Fusible, Two-Pole, Two-Wire, 240 Vac, NEMA 1</b>					
30	DH221FGK	TH3221		N/A	H221N
60	DH222NGK	TH3222		N/A	H222N
100	DH223NGK	TH3223		N/A	H223N
200	DH224NGK	TH3224		N/A	H224N
400	DH225FGK	TH3225		N/A	H225
600	DH226FGK	TH3226		N/A	H226
800	DH227FGK	TC72267		N/A	H227
1200	DH328FGK	TC72268		N/A	H228
<b>Fusible, Two-Pole, Three-Wire, 240 Vac, NEMA 1</b>					
30	DH221NGK	TH3221		HF221N	H221N
60	DH222NGK	TH3222		HF222N	H222N
100	DH223NGK	TH3223		HF223N	H223N
200	DH224NGK	TH3224		HF224N	H224N
400	DH225NGK	TH3225		HF225N	H225N
600	DH226NGK	TH3226		HF226N	H226N
800	DH227NGK	TC72267 <sup>①</sup>		HF227N	H227N
1200	DH328NGK	TC72268 <sup>①</sup>		HF228N	H228N
<b>Fusible, Three-Pole, Three-Wire, 240 Vac, NEMA 1</b>					
30	DH321FGK	TH4321		N/A	H321N
60	DH322FGK	TH4322		N/A	H322N
100	DH323FGK	TH4323		N/A	H323N
200	DH324FGK	TH4324		N/A	H324N
400	DH325FGK	TH3325		N/A	H325
600	DH326FGK	TH3326		N/A	H326
800	DH327FGK	TC72367		N/A	H327
1200	DH328FGK	TC72368		N/A	H328
<b>Fusible, Three-Pole, Four-Wire, 240 Vac, NEMA 1</b>					
30	DH321NGK	TH4321		HF321N	H321N
60	DH322NGK	TH4322		HF322N	H322N
100	DH323NGK	TH4323		HF323N	H323N
200	DH324NGK	TH4324		HF324N	H324N
400	DH325NGK	TH4325		HF325N	H325N
600	DH326NGK	TH4326		HF326N	H326N
800	DH327NGK	TC72367 <sup>①</sup>		HF327N	H327N
1200	DH328NGK	TC72368 <sup>①</sup>		HF328N	H328N
<b>Fusible, Four-Pole, Four-Wire, 240 Vac, NEMA 1</b>					
30	DH421FGK	N/A		F421	H461 <sup>②</sup>
60	DH422FGK	N/A		F422	H462 <sup>②</sup>
100	DH423FGK	N/A		F423	H463 <sup>②</sup>
200	DH424FGK	N/A		F424	H464 <sup>②</sup>
400	DH425FGK	N/A		F425	H465 <sup>②</sup>
600	DH426FGK	N/A		F426	H466 <sup>②</sup>

## Heavy-Duty, continued

Ampere Rating	Catalog Number		General Electric	Siemens	Square D
	Eaton				
<b>Non-Fusible, Three-Pole, Three-Wire, 240 Volt/600 Vac, NEMA 1</b>					
30	DH361UGK	THN3361		HN361	HU361
60	DH362UGK	THN3362		HN362	HU362
100	DH363UGK	THN3363		HN363	HU363
200	DH364UGK	THN3364		HN364	HU364
400	DH365UGK	THN3365		HN365	HU365
600	DH366UGK	THN3366		HN366	HU366
800	DH367UGK	TC36367		HN367	HU367
1200	DH368UGK	TC36368		HN368	HU368
<b>Fusible, Three-Pole, Two-Wire, 240 Vac, NEMA 3R</b>					
30	DH221NRK	TH3221R		N/A	H221NRB
60	DH222NRK	TH3222R		N/A	H222NRB
100	DH223NRK	TH3223R		N/A	H223NRB
200	DH224NRK	TH3224R		N/A	H224NRB
400	DH225FRK	TH3225R		N/A	H225R
600	DH226FRK	TH3226R		N/A	H226R
800	DH227NRK	TC72267R		N/A	H227R
1200	DH328FRK	TC72268R		N/A	H228R
<b>Fusible, Two-Pole, Three-Wire, 240 Vac, NEMA 3R</b>					
30	DH221NRK	TH3221R		HF221NR	H221NRB
60	DH222NRK	TH3222R		HF222NR	H222NRB
100	DH223NRK	TH3223R		HF223NR	H223NRB
200	DH224NRK	TH3224R		HF224NR	H224NRB
400	DH225NRK	TH3225R		HF225NR	H225NR
600	DH226NRK	TH3226R		HF226NR	H226NR
800	DH227NRK	TC72267R <sup>①</sup>		HF227NR	H227NR
1200	DH328NRK	TC72268R <sup>①</sup>		HF228NR	H228NR
<b>Fusible, Three-Pole, Three-Wire, 240 Vac, NEMA 3R</b>					
30	DH321FRK	TH4321R		N/A	H321NRB
60	DH322FRK	TH4322R		N/A	H322NRB
100	DH323FRK	TH4323R		N/A	H323NRB
200	DH324FRK	TH4324R		N/A	H324NRB
400	DH325FRK	TH3325R		N/A	H325NR
600	DH326FRK	TH3326R		N/A	H326NR
800	DH327FRK	TC72367R		N/A	H327NR
1200	DH328FRK	TC72368R		N/A	H328NR

## Notes

<sup>①</sup> Separate neutral kit required.

<sup>②</sup> 600V switch.

Always verify the number of poles and wires required since catalog numbers may appear in multiple tables.

## Heavy-Duty, continued

Ampere Rating	Catalog Number Eaton	General Electric	Siemens	Square D
<b>Fusible, Three-Pole, Four-Wire, 240 Vac, NEMA 3R</b>				
30	DH321NRK	TH4321R	HF321NR	H321NRB
60	DH322NRK	TH4322R	HF322NR	H322NRB
100	DH323NRK	TH4323R	HF323NR	H323NRB
200	DH324NRK	TH4324R	HF324NR	H324NRB
400	DH325NRK	TH3325R ①	HF325NR	H325R
600	DH326NRK	TH3326R ①	HF326NR	H326R
800	DH327NRK	TC72367R ①	HF327NR	H327R
1200	DH328NRK	TC72368R ①	HF328NR	H328R
<b>Non-Fusible, Three-Pole, Three-Wire, 240 Volt/600 Vac, NEMA 3R</b>				
30	DH361URK	THN3361R	HNF361R	HU361RB
60	DH362URK	THN3362R	HNF362R	HU362RB
100	DH363URK	THN3363R	HNF363R	HU363RB
200	DH364URK	THN3364R	HNF364R	HU364RB
400	DH365URK	THN3365R	HNF365R	HU365R
600	DH366URK	THN3366R	HNF366R	HU366R
800	DH367URK	N/A	HNF367R	HU367R
1200	DH368URK	N/A	HNF368R	HU368R
<b>Fusible, Two-Pole, Two-Wire, 240 Vac, NEMA 4/4X</b>				
30	DH221NWK	TH2221SS	HF221S	H221DS
60	DH222NWK	TH2222SS	HF222S	H222DS
100	DH223NWK	TH3223SS	HF223S	H223DS
200	DH224NWK	TH3224SS	HF224S	H224DS
400	DH225FWK	TH3225SS	HF325S	H225DS
600	DH226FWK	TH3226SS	HF326S	H226DS
<b>Fusible, Two-Pole, Three-Wire, 240 Vac, NEMA 4/4X</b>				
30	DH221NWK	TH3221SS	HF321S ①	H221DS ①
60	DH222NWK	TH3222SS	HF322S ①	H222DS ①
100	DH223NWK	TH3223SS	HF323S ①	H223DS ①
200	DH224NWK	TH3224SS	HF324S ①	H224DS ①
400	DH225NWK	TH3225SS	HF325S ①	H225NDS
600	DH226NWK	TH3226SS	HF326S ①	H226NDS
800	DH227NWK	N/A	HF327S ①	N/A
<b>Fusible, Three-Pole, Three-Wire, 240 Vac, NEMA 4/4X</b>				
30	DH321FWK	TH3321SS	HF321S	H321DS
60	DH322FWK	TH3322SS	HF322S	H322DS
100	DH323NWK	TH4323SS	HF323S	H323DS
200	DH324NWK	TH4324SS	HF324S	H324DS
400	DH325FWK	TH4325SS	HF325S	H325DS
600	DH326FWK	TH4326SS	HF326S	H326DS
800	DH327FWK	N/A	HF327S	N/A
<b>Fusible, Three-Pole, Four-Wire, 240 Vac, NEMA 4/4X</b>				
30	DH321NWK	TH4321SS	HF321S ①	H321DS ①
60	DH322NWK	TH4322SS	HF322S ①	H322DS ①
100	DH323NWK	TH4323SS	HF323S ①	H323DS ①
200	DH324NWK	TH4324SS	HF324S ①	H324DS ①
400	DH325NWK	TH4325SS	HF325S ①	H325NDS
600	DH326NWK	TH4326SS	HF326S ①	H326NDS

## Heavy-Duty, continued

Ampere Rating	Catalog Number Eaton	General Electric	Siemens	Square D
<b>Fusible, Two-Pole, Two-Wire, 240 Vac, NEMA 12</b>				
30	DH221NDK	TH2221J	HF221J	H221AWK
60	DH222NDK	TH2222J	HF222J	H222AWK
100	DH223NDK	TH3223J	HF223J	H223AWK
200	DH224NDK	TH3224J	HF224J	H224AWK
400	DH225FDK	TH3225J	HF325J	H225AWK
600	DH226FDK	TH3226J	HF326J	H226AWK
800	DH227FDK	N/A	HF327J	H227AWK
1200	N/A	N/A	N/A	H228AWK
<b>Fusible, Two-Pole, Three-Wire, 240 Vac, NEMA 12</b>				
30	DH221NDK	TH3221J	HF221J ①	H221AWK
60	DH222NDK	TH3222J	HF222J ①	H222AWK
100	DH223NDK	TH3223J	HF223J ①	H223AWK
200	DH224NDK	TH3224J	HF224J ①	H224AWK
400	DH225NDK	TH3225J	HF325J ①	H225NAWK
600	DH226NDK	TH3226J	HF326J ①	H226NAWK
800	DH227NDK	N/A	HF327J ①	H227NAWK
1200	N/A	N/A	N/A	H228NAWK
<b>Fusible, Three-Pole, Three-Wire, 240 Vac, NEMA 12</b>				
30	DH321FDK	TH3321J	HF321J	H321AWK
60	DH322FDK	TH3322J	HF322J	H322AWK
100	DH323FDK	TH4323J	HF323J	H323AWK
200	DH324FDK	TH4324J	HF324J	H324AWK
400	DH325FDK	TH4325J	HF325J	H325AWK
600	DH326FDK	TH4326J	HF326J	H326AWK
800	DH327FDK	N/A	HF327J	H327AWK
1200	N/A	N/A	N/A	H328AWK
<b>Fusible, Three-Pole, Four-Wire, 240 Vac, NEMA 12</b>				
30	DH321NDK	TH4321J	HF321J ①	H321AWK ①
60	DH322NDK	TH4322J	HF322J ①	H322AWK ①
100	DH323NDK	TH4323J	HF323J ①	H323AWK ①
200	DH324NDK	TH4324J	HF324J ①	H324AWK ①
400	DH325NDK	TH4325J	HF325J ①	H325NAWK
600	DH326NDK	TH4326J	HF326J ①	H326NAWK
800	N/A	N/A	HF327J ①	H327NAWK
1200	N/A	N/A	N/A	H328NAWK
<b>Fusible, Four-Pole, Four-Wire, 240 Vac, NEMA 12</b>				
30	DH421FDK	N/A	N/A	N/A
60	DH422FDK	N/A	N/A	N/A
100	DH423FDK	N/A	N/A	N/A
200	DH424FDK	N/A	N/A	N/A

**Notes**

① Separate neutral kit required.

Always verify the number of poles and wires required since catalog numbers may appear in multiple tables.

## Heavy-Duty, continued

Ampere Rating	Catalog Number Eaton	General Electric	Siemens	Square D
<b>Fusible, Two-Pole, Two-Wire, 600 Vac, NEMA 1</b>				
30	DH261FGK	TH2261DC	HF261	H361
60	DH262FGK	TH2262DC	HF262	H362
100	DH263FGK	TH2263DC	HF263	H363
200	DH264FGK	N/A	N/A	H364
400	DH265FGK	N/A	HF265	H265
600	DH266FGK	N/A	HF266	H266
800	DH267FGK	N/A	N/A	H267
1200	N/A	N/A	N/A	H268
<b>Fusible, Three-Pole, Three-Wire, 600 Vac, NEMA 1</b>				
30	DH361FGK	TH3361	HF361	H361
60	DH362FGK	TH3362	HF362	H362
100	DH363FGK	TH3363	HF363	H363
200	DH364FGK	TH3364	HF364	H364
400	DH365FGK	TH3365	HF365	H365
600	DH366FGK	TH3366	HF366	H366
800	DH367FGK	TC72367	HF367	H367
1200	DH368FGK	TC72368	HF368	H368
<b>Fusible, Three-Pole, Four-Wire, 600 Vac, NEMA 1</b>				
30	DH361NGK	TH3361 ①	HF361N	H361N
60	DH362NGK	TH3362 ①	HF362N	H362N
100	DH363NGK	TH3363 ①	HF363N	H363N
200	DH364NGK	TH3364 ①	HF364N	H364N
400	DH365NGK	TH3365 ①	HF365N	H365N
600	DH366NGK	TH3366 ①	HF366N	H366N
800	DH367NGK	TC72367 ①	HF367N	H367N
1200	DH368NGK	TC72368 ①	HF368 ①	H368N
<b>Fusible, Four-Pole, Four-Wire, 600 Vac, NEMA 1</b>				
30	DH461FGK	TH6661	N/A	H461
60	DH462FGK	TH6662	N/A	H462
100	DH463FGK	TH6663	N/A	H463
200	DH464FGK	TH6664	N/A	H464
400	DH465FGK	N/A	N/A	H465
600	DH466FGK	N/A	N/A	H466
<b>Non-Fusible, Two-Pole, Two-Wire, 600 Vac, NEMA 1</b>				
30	DH261UGK	THN2261DC	HN261	HU361
60	DH362UGK	THN2262DC	HN262	HU362
100	DH263UGK	THN2263DC	HN263	HU363
200	DH364UGK	N/A	N/A	HU364
400	DH265UGK	N/A	HN265	HU265
600	DH266UGK	N/A	HN266	HU266
800	DH267UGK	N/A	N/A	HU267
1200	N/A	N/A	N/A	HU268

## Heavy-Duty, continued

Ampere Rating	Catalog Number Eaton	General Electric	Siemens	Square D
<b>Non-Fusible, Four-Pole, Four-Wire, 600 Vac, NEMA 1</b>				
30	DH461UGK	THN6661	N/A	HU461
60	DH462UGK	THN6662	N/A	HU462
100	DH463UGK	THN6663	N/A	HU463
200	DH464UGK	THN6664	N/A	HU464
400	DH465UGK	N/A	N/A	HU465
600	DH466UGK	N/A	N/A	HU466
<b>Fusible, Two-Pole, Two-Wire, 600 Vac, NEMA 3R</b>				
30	DH361FRK	TH2261RDC	HF261R	H361RB
60	DH362FRK	TH2262RDC	HF262R	H362RB
100	DH363FRK	TH2263RDC	HF263R	H363RB
200	DH364FRK	N/A	N/A	H364RB
400	DH365FRK	N/A	N/A	H265R
600	DH366FRK	N/A	HF265R	H266R
800	DH367FRK	N/A	HF266R	H267R
1200	DH368FRK	N/A	N/A	H268R
<b>Fusible, Three-Pole, Three-Wire, 600 Vac, NEMA 3R</b>				
30	DH361FRK	TH3361R	HF361R	H361RB
60	DH362FRK	TH3362R	HF362R	H362RB
100	DH363FRK	TH3363R	HF363R	H363RB
200	DH364FRK	TH3364R	HF364R	H364RB
400	DH365FRK	TH3365R	HF365R	H365R
600	DH366FRK	TH3366R	HF366R	H366R
800	DH367FRK	TC72367R	HF367R	H367R
1200	DH368FRK	TC72368R	HF368R	H368R
<b>Fusible, Three-Pole, Four-Wire, 600 Vac, NEMA 3R</b>				
30	DH361NRK	TH3361R ①	HF361NR	H361NRB
60	DH362NRK	TH3362R ①	HF362NR	H362NRB
100	DH363NRK	TH3363R ①	HF363NR	H363NRB
200	DH364NRK	TH3364R ①	HF364NR	H364NRB
400	DH365NRK	TH3365R ①	HF365NR	H365NR
600	DH366NRK	TH3366R ①	HF366NR	H366NR
800	DH367NRK	TC72367R ①	HF367NR	H367NR
1200	DH368NRK	TC72368R ①	HF368R	H368NR
<b>Non-Fusible, Three-Pole, Three-Wire, 600 Vac, NEMA 3R</b>				
30	DH361URK	THN2261RDC	HN261R	HU361RB
60	DH362URK	THN2262RDC	HN262R	HU362RB
100	DH363URK	THN2263RDC	HN263R	HU363RB
200	DH364URK	N/A	N/A	HU364RB
400	DH365URK	N/A	HN265R	HU265R
600	DH366URK	N/A	HN266R	HU266R
800	DH367URK	N/A	N/A	HU267R
1200	DH368URK	N/A	N/A	HU268R

**Notes**

① Separate neutral kit required.

Always verify the number of poles and wires required since catalog numbers may appear in multiple tables.

## Heavy-Duty, continued

Ampere Rating	Catalog Number Eaton	General Electric	Siemens	Square D
<b>Non-Fusible, Four-Pole, Four-Wire, 600 Vac, NEMA 3R</b>				
30	DH461UDK	THN6661	N/A	N/A
60	DH462UDK	THN6662	N/A	N/A
100	DH463UDK	THN6663	N/A	N/A
200	DH464UDK	THN6664	N/A	N/A
<b>Fusible, Two-Pole, Two-Wire, 600 Vac, NEMA 4/4X Stainless Steel</b>				
30	DH261FWK	TH2261SSDC	HF261S	H361DS
60	DH362FWK	TH2262SSDC	HF262S	H362DS
100	DH363FWK	TH2263SSDC	HF263S	H363DS
200	DH264FWK	N/A	N/A	H364DS
400	DH365FWK	N/A	HF265S	H265DS
600	DH366FWK	N/A	HF266S	H266DS
800	DH367FWK	N/A	N/A	N/A
<b>Fusible, Three-Pole, Three-Wire, 600 Vac, NEMA 4/4X Stainless Steel</b>				
30	DH361FWK	TH3361SS	HF361S	H361DS
60	DH362FWK	TH3362SS	HF362S	H362DS
100	DH363FWK	TH3363SS	HF363S	H363DS
200	DH364FWK	TH3364SS	HF364S	H364DS
400	DH365FWK	TH3365SS	HF365S	H365DS
600	DH366FWK	TH3366SS	HF366S	H366DS
800	DH367FWK	N/A	HF367S	N/A
<b>Fusible, Three-Pole, Four-Wire, 600 Vac, NEMA 4/4X Stainless Steel</b>				
30	DH361NWK	TH3361SS ①	HF361S ①	H361DS ①
60	DH362NWK	TH3362SS ①	HF362S ①	H362DS ①
100	DH363NWK	TH3363SS ①	HF363S ①	H363DS ①
200	DH364NWK	TH3364SS ①	HF364S ①	H364NDS
400	DH365NWK	TH3365SS ①	HF365S ①	H365NDS
600	DH366NWK	TH3366SS ①	HF366S ①	H366NDS
<b>Non-Fusible, Two-Pole, Two-Wire, 600 Vac, NEMA 4/4X Stainless Steel</b>				
30	DH361UWK	THN2261SSDC	HNF261S	HU361DS
60	DH362UWK	THN2262SSDC	HNF262S	HU362DS
100	DH363UWK	THN2263SSDC	HNF263S	HU363DS
200	DH364UWK	N/A	N/A	HU364DS
400	DH365UWK	N/A	HNF265S	HU265DS
600	DH366UWK	N/A	HNF266S	HU266DS
800	DH367UWK	N/A	N/A	N/A
<b>Non-Fusible, Three-Pole, Three-Wire, 600 Vac, NEMA 4/4X Stainless Steel</b>				
30	DH361UWK	THN3361SS	HNF361S	HU361DS
60	DH362UWK	THN3362SS	HNF362S	HU362DS
100	DH363UWK	THN3363SS	HNF363S	HU363DS
200	DH364UWK	THN3364SS	HNF364S	HU364DS
400	DH365UWK	THN3365SS	HNF365S	HU365DS
600	DH366UWK	THN3366SS	HNF366S	HU366DS
800	DH367UWK	N/A	HNF367S	N/A

## Heavy-Duty, continued

Ampere Rating	Catalog Number Eaton	General Electric	Siemens	Square D
<b>Non-Fusible, Four-Pole, Four-Wire, 600 Vac, NEMA 4/4X Stainless Steel</b>				
30	DH461UWK	N/A	N/A	HU461DS
60	N/A	N/A	N/A	HU462DS
100	N/A	N/A	N/A	HU464DS
200	N/A	N/A	N/A	HU464DS
<b>Fusible, Two-Pole, Two-Wire, 600 Vac, NEMA 12</b>				
30	DH261FDK	TH2261JDC	HF261J	H361AWK
60	DH262FDK	TH2262JDC	HF262J	H362AWK
100	DH263FDK	TH2263JDC	HF263J	H363AWK
200	DH264FDK	N/A	N/A	H364AWK
400	DH265FDK	N/A	HF265J	H265AWK
600	DH266FDK	N/A	HF266J	H266AWK
800	DH267FDK	N/A	N/A	H267AWK
1200	N/A	N/A	N/A	H268AWK
<b>Fusible, Three-Pole, Three-Wire, 600 Vac, NEMA 12</b>				
30	DH361FDK	TH3361J	HF361J	H361AWK
60	DH362FDK	TH3362J	HF362J	H362AWK
100	DH363FDK	TH3363J	HF363J	H363AWK
200	DH364FDK	TH3364J	HF364J	H364AWK
400	DH365FDK	TH3365J	HF365J	H365AWK
600	DH366FDK	TH3366J	HF366J	H366AWK
800	DH367FDK	N/A	HF367J	H367AWK
1200	N/A	N/A	N/A	H368AWK
<b>Fusible, Three-Pole, Four-Wire, 600 Vac, NEMA 12</b>				
30	DH361NDK	THN3361J ①	HF361J ①	H361AWK ①
60	DH362NDK	THN3362J ①	HF362J ①	H362AWK ①
100	DH363NDK	THN3363J ①	HF363J ①	H363AWK ①
200	DH364NDK	THN3364J ①	HF364J ①	H364NAWK
400	DH365NDK	THN3365J ①	HF365J ①	H365NAWK
600	DH366NDK	THN3366J ①	HF366J ①	H366NAWK
800	DH367NDK	N/A	HF367J ①	H367NAWK
1200	N/A	N/A	N/A	H368NAWK
<b>Fusible, Four-Pole, Four-Wire, 600 Vac, NEMA 12</b>				
30	N/A	TH6661	N/A	H461AWK
60	N/A	TH6662	N/A	H462AWK
100	DH463FDK	TH6663	N/A	H463AWK
200	DH464FDK	TH6664	N/A	H464AWK
400	N/A	N/A	N/A	H465AWK

## Notes

① Separate neutral kit required.

Always verify the number of poles and wires required since catalog numbers may appear in multiple tables.

## Heavy-Duty, continued

Ampere Rating	Catalog Number Eaton	General Electric	Siemens	Square D
<b>Non-Fusible, Two-Pole, Two-Wire, 600 Vac, NEMA 12</b>				
30	DH261UDK	THN2261JDC	HNF261J	HU361AWK
60	DH262UDK	THN2262JDC	HNF262J	HU362AWK
100	DH263UDK	THN2263JDC	HNF263J	HU363AWK
200	DH264UDK	N/A	N/A	HU364AWK
400	DH265UDK	N/A	HNF265J	HU265AWK
600	DH266UDK	N/A	HNF266J	HU266AWK
800	DH267UDK	N/A	N/A	HU267AWK
1200	N/A	N/A	N/A	HU268AWK
<b>Non-Fusible, Three-Pole, Three-Wire, 600 Vac, NEMA 12</b>				
30	DH361UDK	THN3361J	HNF361J	HU361AWK
60	DH362UDK	THN3362J	HNF362J	HU362AWK
100	DH363UDK	THN3363J	HNF363J	HU363AWK
200	DH364UDK	THN3364J	HNF364J	HU364AWK
400	DH365UDK	THN3365J	HNF365J	HU365AWK
600	DH366UDK	THN3366J	HNF366J	HU366AWK
800	DH367UDK	N/A	HNF367J	HU367AWK
1200	N/A	N/A	N/A	HU368AWK
<b>Non-Fusible, Four-Pole, Four-Wire, 600 Vac, NEMA 12</b>				
30	DH461UDK	THN6661	N/A	HU461AWK
60	DH462UDK	THN6662	N/A	HU462AWK
100	DH463UDK	THN6663	N/A	HU463AWK
200	DH464UDK	THN6664	N/A	HU464AWK
400	N/A	N/A	N/A	HU465AWK

## Heavy-Duty Six-Pole

Ampere Rating	Catalog Number Eaton	General Electric	Siemens	Square D
<b>Fusible, Six-Pole, Six-Wire, 600 Vac, NEMA 3R</b>				
30	DH661FDK	TH6661	F651H	N/A
60	DH662FDK	TH6662	F652H	N/A
100	DH663FDK	TH6663	F653H	N/A
200	DH664FDK	TH6664	N/A	N/A
<b>Fusible, Six-Pole, Six-Wire, 600 Vac, NEMA 12</b>				
30	DH661FDK	TH6661	F651H	N/A
60	DH662FDK	TH6662	F652H	N/A
100	DH663FDK	TH6663	F653H	H663AWK
200	DH664FDK	TH6664	N/A	H664RWK
<b>Fusible, Six-Pole, Six-Wire, 600 Vac, NEMA 4X</b>				
30	N/A	N/A	F651SS	N/A
60	N/A	N/A	F652SS	N/A
100	N/A	N/A	F653SS	H663DS
200	N/A	N/A	N/A	H664DS
<b>Non-Fusible, Six-Pole, Six-Wire, 600 Vac, NEMA 3R</b>				
30	DH661UDK	THN6661	NF651H	N/A
60	DH662UDK	THN6662	NF652H	N/A
100	DH663UDK	THN6663	NF653H	N/A
200	DH664UDK	THN6664	N/A	N/A
<b>Non-Fusible, Six-Pole, Six-Wire, 600 Vac, NEMA 12</b>				
30	DH661UDK	THN6661	NF651H	HU661AWK
60	DH662UDK	THN6662	NF652H	HU662AWK
100	DH663UDK	THN6663	NF653H	HU663AWK
200	DH664UDK	THN6664	N/A	HU664RWK
<b>Non-Fusible, Six-Pole, Six-Wire, 600 Vac, NEMA 4X</b>				
30	DH661UWK	N/A	NF651SS	HU661DS
60	DH662UWK	N/A	NF652SS	HU662DS
100	DH663UWK	N/A	NF653SS	HU663DS
200	DH664UWK	N/A	N/A	HU664DS

**Note**

Always verify the number of poles and wires required since catalog numbers may appear in multiple tables.

## Double-Throw

Ampere Rating	Eaton Catalog Number	General Electric	Siemens	Square D
<b>Fusible, Two-Pole, Two-Wire, 240 Vac, NEMA 1</b>				
30	<b>DT321FGK</b>	TDT3321	N/A	N/A
60	<b>DT322FGK</b>	TDT3322	N/A	N/A
100	<b>DT323FGK</b>	TDT3323	N/A	DT223
200	<b>DT224FGK</b>	TDT3324	DTF224	DT224
400	<b>DT325FGK</b>	TDT3325	N/A	N/A
600	<b>DT326FGK</b>	TDT3326	N/A	N/A
<b>Fusible, Three-Pole, Three-Wire, 240 Vac, NEMA 1</b>				
30	<b>DT321FGK</b>	TDT3321	DTF321	DT321
60	<b>DT322FGK</b>	TDT3322	DTF322	DT322
100	<b>DT323FGK</b>	TDT3323	DTF323	DT323
200	<b>DT324FGK</b>	TDT3324	DTF324	DT324
400	<b>DT325FGK</b>	TDT3325	DTF325	N/A
600	<b>DT326FGK</b>	TDT3326	DTF326	N/A
<b>Non-Fusible, Two-Pole, Two-Wire, 240 Vac, NEMA 1</b>				
30	<b>DT221UGK</b>	N/A	DTNF221	92251
60	<b>DT222UGK</b>	N/A	DTNF222	DTU222
100	<b>DT223UGK</b>	N/A	DTNF223	DTU223
200	<b>DT224UGK</b>	N/A	DTNF224	DTU224
400	<b>DT225UGK</b>	N/A	DTNF225	92255
600	<b>DT226UGK</b>	N/A	DTNF226	N/A
800	<b>DT227UGK</b>	N/A	N/A	N/A
<b>Non-Fusible, Three-Pole, Three-Wire, 240 Vac, NEMA 1</b>				
30	<b>DT321UGK</b>	TC35321	DTNF321	DTU321
60	<b>DT322UGK</b>	TC35322	DTNF322	DTU322
100	<b>DT323UGK</b>	TC35323	DTNF323	DTU323
200	<b>DT324UGK</b>	TC35324	DTNF324	DTU324
400	<b>DT325UGK</b>	TC35325	DTNF325	92355
600	<b>DT326UGK</b>	TC35326	DTNF326	92356
800	<b>DT327UGK</b>	N/A	DTNF327	N/A
<b>Fusible, Three-Pole, Three-Wire, 600 Vac, NEMA 1</b>				
30	<b>DT361FGK</b>	TDT3361	DTF361	DT361
60	<b>DT362FGK</b>	TDT3362	DTF362	DT362
100	<b>DT363FGK</b>	TDT3363	DTF363	DT363
200	<b>DT364FGK</b>	TDT3364	DTF364	DT364
400	<b>DT365FGK</b>	TDT3365	DTF365	N/A
600	<b>N/A</b>	N/A	N/A	N/A
<b>Non-Fusible, Two-Pole, Two-Wire, 600 Vac, NEMA 1</b>				
30	<b>DT261UGK</b>	N/A	DTNF261	N/A
60	<b>DT262UGK</b>	N/A	DTNF262	82342
100	<b>DT263UGK</b>	N/A	DTNF263	82343
200	<b>DT264UGK</b>	N/A	DTNF264	82344
400	<b>DT265UGK</b>	N/A	DTNF265	92345
600	<b>DT266UGK</b>	N/A	DTNF266	92346

## Double-Throw, continued

Ampere Rating	Eaton Catalog Number	General Electric	Siemens	Square D
<b>Non-Fusible, Three-Pole, Three-Wire, 600 Vac, NEMA 1</b>				
30	<b>DT361UGK</b>	TC35361	DTNF361	DTU361
60	<b>DT362UGK</b>	TC35362	DTNF362	DTU362
100	<b>DT363UGK</b>	TC35363	DTNF363	DTU363
200	<b>DT364UGK</b>	TC35364	DTNF364	DTU364
400	<b>DT365UGK</b>	TC35365	DTNF365	92345
600	<b>DT366UGK</b>	TC35366	DTNF366	92346
800	<b>DT367UGK</b>	N/A	DTNF367	N/A
1200	<b>N/A</b>	N/A	N/A	N/A
<b>Non-Fusible, Four-Pole, Four-Wire, 600 Vac, NEMA 1</b>				
30	<b>N/A</b>	N/A	N/A	N/A
60	<b>N/A</b>	N/A	N/A	DTU462
100	<b>N/A</b>	N/A	N/A	DTU463
200	<b>DT464UGK</b>	N/A	NF454DTK	DTU464
400	<b>DT465UGK</b>	N/A	NF455DTK	92445
600	<b>DT466UGK</b>	N/A	NF456DTK	92446
800	<b>DT467UGK</b>	N/A	NF457DTK	N/A
<b>Fusible, Two-Pole, Two-Wire, 240 Vac, NEMA 3R</b>				
30	<b>DT321FRK</b>	TDT3321R	N/A	N/A
60	<b>DT322FRK</b>	TDT3322R	N/A	N/A
100	<b>DT323FRK</b>	TDT3323R	N/A	DT223RB
200	<b>DT224FRK</b>	TDT3324R	DTF224R	DT224RB
<b>Fusible, Three-Pole, Three-Wire, 240 Vac, NEMA 3R</b>				
30	<b>DT321FRK</b>	TDT3321R	DTF321R	DT321RB
60	<b>DT322FRK</b>	TDT3322R	DTF322R	DT322RB
100	<b>DT323FRK</b>	TDT3323R	DTF323R	DT323RB
200	<b>DT324FRK</b>	TDT3324R	DTF324R	DT324RB
400	<b>DT325FRK</b>	N/A	FR325DTK	N/A
600	<b>DT326FRK</b>	N/A	FR326DTK	N/A
<b>Non-Fusible, Two-Pole, Two-Wire, 240 Vac, NEMA 3R</b>				
30	<b>N/A</b>	N/A	N/A	N/A
60	<b>N/A</b>	N/A	N/A	N/A
100	<b>DT223URK</b>	N/A	N/A	DTU223RB
200	<b>DT224URK</b>	N/A	DTNF224R	DTU224RB
400	<b>DT225URK</b>	N/A	DTNF225R	92255R
<b>Non-Fusible, Three-Pole, Three-Wire, 240 Vac, NEMA 3R</b>				
30	<b>N/A</b>	N/A	N/A	N/A
60	<b>N/A</b>	N/A	N/A	N/A
100	<b>DT323URK</b>	N/A	DTNF323R	DTU323RB
200	<b>DT324URK</b>	N/A	DTNF324R	DTU324RB
400	<b>DT325URK</b>	N/A	N/A	92355R
600	<b>N/A</b>	N/A	N/A	92356R

**Note**

Always verify the number of poles and wires required since catalog numbers may appear in multiple tables.

## Double-Throw, continued

Ampere Rating	Catalog Number Eaton	General Electric	Siemens	Square D
<b>Fusible, Three-Pole, Three-Wire, 600 Vac, NEMA 3R</b>				
30	N/A	N/A	N/A	DT361RB
60	N/A	N/A	N/A	DT362RB
100	DT363FRK	N/A	DTF363R	DT363RB
200	DT364FRK	N/A	DTF364R	DT364RB
400	DT365FRK	N/A	FR355DTK	N/A
<b>Non-Fusible, Two-Pole, Two-Wire, 600 Vac, NEMA 3R</b>				
30	N/A	N/A	N/A	N/A
60	N/A	N/A	N/A	82342RB
100	N/A	N/A	N/A	82343RB
200	DT264URK	N/A	DTNF264R	82344RB
400	DT265URK	N/A	DTNF265R	92345RB
600	DT266URK	N/A	NFR256DTK	92346RB
<b>Non-Fusible, Three-Pole, Three-Wire, 600 Vac, NEMA 3R</b>				
30	DT361URK	N/A	DTNF361R	DTU361RB
60	DT362URK	N/A	DTNF362R	DTU362RB
100	DT363URK	N/A	DTNF363R	DTU363RB
200	DT364URK	N/A	DTNF364R	DTU364RB
400	DT365URK	N/A	DTNF365R	92345RB
600	DT366URK	N/A	DTNF366R	92346RB
800	DT367URK	N/A	DTNF367R	N/A
<b>Non-Fusible, Four-Pole, Four-Wire, 600 Vac, NEMA 3R</b>				
30	DT461URK	N/A	NFR451DTK	N/A
60	DT462URK	N/A	NFR452DTK	92442RB
100	DT463URK	N/A	NFR453DTK	92443RB
200	DT464URK	N/A	NFR454DTK	92444RB
400	DT465URK	N/A	NFR455DTK	92445R
600	DT466URK	N/A	NFR456DTK	92446R
800	DT467URK	N/A	NFR457DTK	N/A
<b>Non-Fusible, Six-Pole, Six-Wire, 600 Vac, NEMA 3R</b>				
30	DT661URK	N/A	NFR651DTK	N/A
60	DT662URK	N/A	NFR652DTK	N/A
100	DT663URK	N/A	NFR653DTK	N/A
<b>Non-Fusible, Two-Pole, Two-Wire, 240 Vac, NEMA 12</b> <sup>①</sup>				
30	DT361UDK	N/A	DTNF361J	H92251
60	DT362UDK	N/A	DTNF362J	H82252
100	DT363UDK	N/A	DTNF363J	H82253
200	DT364UDK	N/A	DTNF364J	H82254
400	DT365UDK	N/A	NF355HDTK	H92255
<b>Non-Fusible, Three-Pole, Three-Wire, 240 Vac, NEMA 12</b> <sup>①</sup>				
30	DT361UDK	N/A	DTNF361J	H92351
60	DT362UDK	N/A	DTNF362J	DTU362AWK
100	DT363UDK	N/A	DTNF363J	DTU363AWK
200	DT364UDK	N/A	DTNF364J	DTU364AWK
400	DT365UDK	N/A	NF355HDTK	H92355
600	N/A	N/A	N/A	H92356
<b>Non-Fusible, Four-Pole, Four-Wire, 240 Vac, NEMA 12</b>				
30	N/A	N/A	N/A	H92451
60	N/A	N/A	N/A	DTU462AWK
100	N/A	N/A	N/A	DTU463AWK
200	N/A	N/A	N/A	DTU464AWK
400	N/A	N/A	N/A	H92455
600	N/A	N/A	N/A	H92456

## Double-Throw, continued

Ampere Rating	Catalog Number Eaton	General Electric	Siemens	Square D
<b>Non-Fusible, Two-Pole, Two-Wire, 600 Vac, NEMA 12</b>				
30	DT361UDK	N/A	DTNF361J	N/A
60	DT362UDK	N/A	DTNF362J	H82342
100	DT363UDK	N/A	DTNF363J	H82343
200	DT364UDK	N/A	DTNF364J	H82344
400	DT365UDK	N/A	NF355HDTK	H92345
600	N/A	N/A	N/A	H92346
<b>Non-Fusible, Three-Pole, Three-Wire, 600 Vac, NEMA 12</b>				
30	DT361UDK	N/A	DTNF361J	N/A
60	DT362UDK	N/A	DTNF362J	DTU362AWK
100	DT363UDK	N/A	DTNF363J	DTU363AWK
200	DT364UDK	N/A	DTNF364J	DTU364AWK
400	DT365UDK	N/A	NF355HDTK	H92345
600	N/A	N/A	N/A	H92346
<b>Non-Fusible, Four-Pole, Four-Wire, 600 Vac, NEMA 12</b>				
30	N/A	N/A	N/A	N/A
60	N/A	N/A	N/A	DTU462AWK
100	N/A	N/A	N/A	DTU463AWK
200	N/A	N/A	N/A	DTU464AWK
400	N/A	N/A	N/A	H92445
600	N/A	N/A	N/A	H92446
<b>Non-Fusible, Two-Pole, Two-Wire, 600 Vac, NEMA 4X</b>				
30	DT361UWK	N/A	DTNF361S	N/A
60	DT362UWK	N/A	DTNF362S	82342DS
100	DT363UWK	N/A	DTNF363S	82343DS
200	DT364UWK	N/A	DTNF364S	82344DS
400	DT365UWK	N/A	NF355SSDTK	N/A
<b>Non-Fusible, Three-Pole, Three-Wire, 600 Vac, NEMA 4X</b>				
30	DT361UWK	N/A	DTNF361S	N/A
60	DT362UWK	N/A	DTNF362S	DTU362DS
100	DT363UWK	N/A	DTNF363S	DTU363DS
200	DT364UWK	N/A	DTNF364S	DTU364DS
400	DT365UWK	N/A	NF355SSDTK	N/A
<b>Non-Fusible, Four-Pole, Four-Wire, 600 Vac, NEMA 4X</b>				
30	N/A	N/A	N/A	N/A
60	N/A	N/A	N/A	DTU462DS
100	N/A	N/A	N/A	DTU463DS
200	N/A	N/A	N/A	DTU464DS
<b>Fusible, Three-Pole, Three-Wire, 600 Vac, NEMA 4X</b>				
30	DT361FWK	N/A	F351SSDTK	N/A
60	DT362FWK	N/A	F352SSDTK	N/A
100	DT363FWK	N/A	F353SSDTK	N/A
200	DT364FWK	N/A	F354SSDTK	N/A
400	DT365FWK	N/A	F355SSDTK	N/A

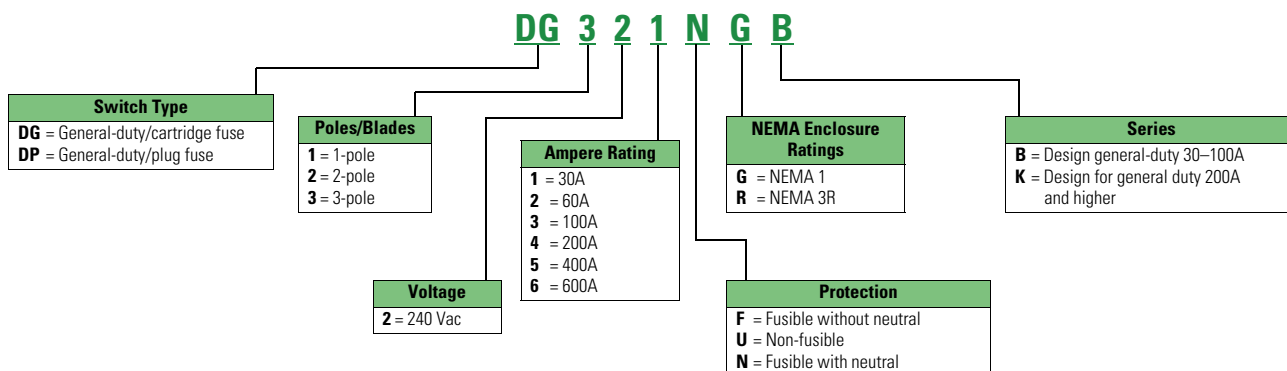
**Notes**

<sup>①</sup> Eaton and Siemens switches shown are 600V switches.

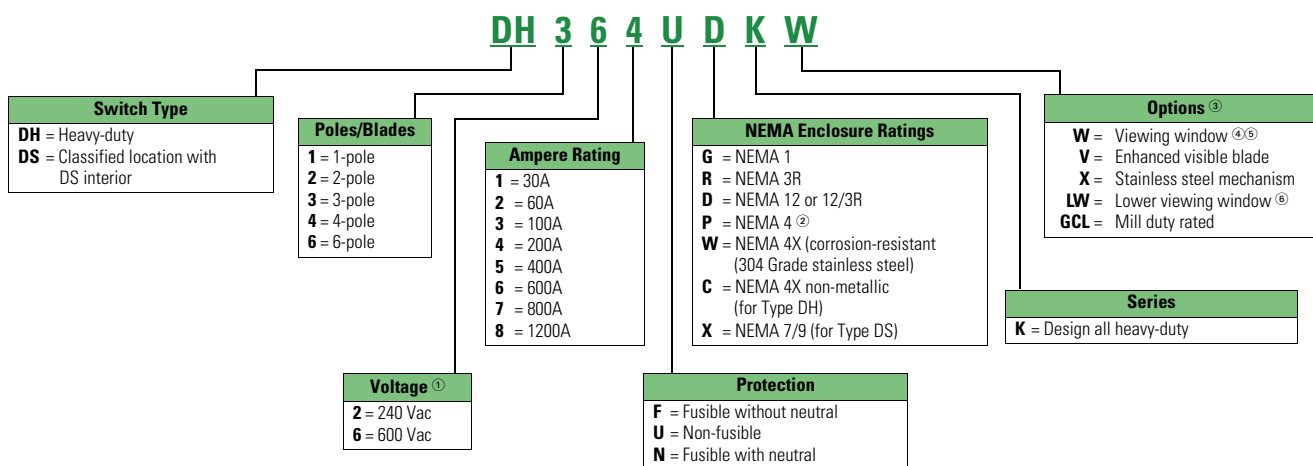
Always verify the number of poles and wires required since catalog numbers may appear in multiple tables.

### Catalog Number Selection

#### General-Duty



#### Heavy-Duty



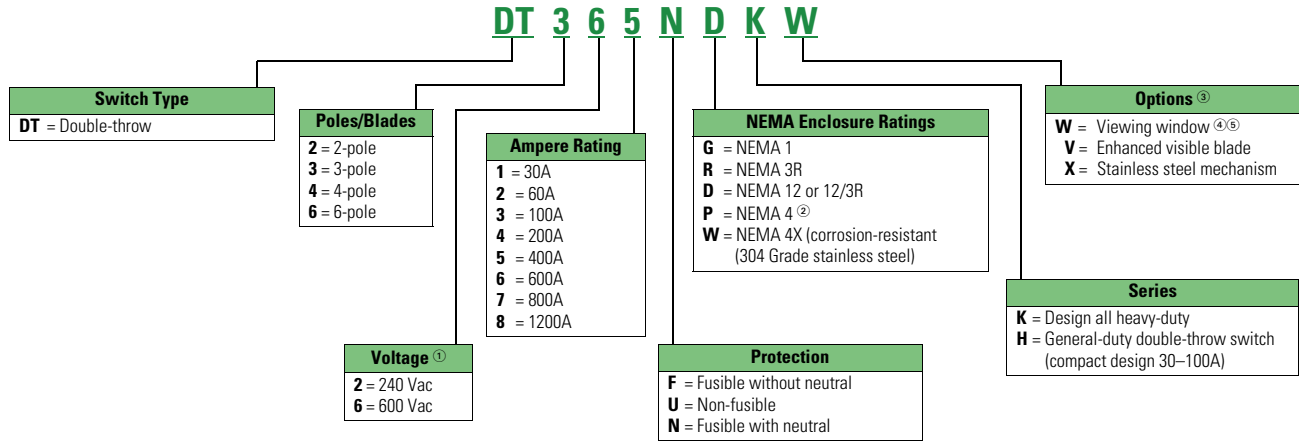
#### Notes

- ① For DC ratings, check individual switch ratings.
- ② Only available for 400A and higher safety switches.
- ③ See Modifications-Flex Center for additional available options.
- ④ All window switches feature enhanced visible blade design as standard.
- ⑤ Only available in NEMA 12/3R and NEMA 4X enclosures.
- ⑥ Only available in 200 to 1200A NEMA 12/3R and NEMA 4X enclosures.

**These tables are intended for use in breaking down existing catalog numbers. They are not intended for building new catalog numbers.**

A factory-installed ground lug is supplied in all heavy-duty safety switches.

#### Double-Throw



#### Notes







- ① For DC ratings, check individual switch ratings.
- ② Only available for 400A and higher safety switches.
- ③ See Modifications-Flex Center for additional available options.
- ④ All window switches feature enhanced visible blade design as standard.
- ⑤ Only available in NEMA 12/3R and NEMA 4X enclosures.

**These tables are intended for use in breaking down existing catalog numbers. They are not intended for building new catalog numbers.**

A factory-installed ground lug is supplied in all heavy-duty safety switches.

## Options and Accessories

## Safety Switches

	Description	Catalog Number
	<b>Neutral Kits</b>	
	30A DG	<b>DG030NB</b>
	60–100A DG	<b>DG100NB</b>
	200A DG, DH (NEMA 1, 3R enclosures)	<b>DG200NK</b>
	30–60A DH	<b>DH030NK</b>
	100A DH	<b>DH100NK</b>
	200A DH (NEMA 4X, 12 enclosures)	<b>DH200NK</b>
	400A DG, DH	<b>DS400NK</b>
	600A DG, DH	<b>DS600NK</b>
	400A fusible DT, 800–1200A DH	<b>DS800NK</b>
	30–100A DT	<b>DT100NK</b>
	200A DT	<b>DT200NK</b>
	400A non-fusible DT	<b>DT400NK</b>
	600A non-fusible DT	<b>DT600NK</b>
600A fusible DT, 800A DT	<b>DT800NK</b>	
1200A DT	<b>DT1200NK</b>	
	<b>Ground Lug Kits</b> Factory-installed ground lug is supplied in all safety switches	
	30–100A DG	<b>DG030GB</b>
	30–100A DH, DT ①	<b>DS100GK</b>
	200A DG, DH, DT	<b>DS200GK</b>
	<b>Switching Neutral Bonding Kits</b> ②	
	30–100A DT, 3P, 4P non-fusible	<b>DT100BK</b>
	200A DT, 3P, 4P non-fusible	<b>DT200BK</b>
	400A DT, 3P, 4P non-fusible	<b>DT400BK</b>
	600A DT, 3P, 4P non-fusible	<b>DT600BK</b>
	800–1200A DT, 3P, 4P non-fusible	<b>DT800BK</b>
	<b>Control Pole Kit (For 2P, 3P Switches)</b>	<b>DS16CP</b>
	400–600A DG, 30–1200A DH, 30–1200A DT Multiple key options are included with the control pole kit. Standard keys provide late-make, early-break functionality. Flanged key provides same make, same break functionality.	
	<b>Auxiliary Contact Kits</b> Auxiliary contact kits are not field installable on shunt trip safety switches	
	All switches (except 30–100A DG) 1NO/1NC	<b>DS200EK1</b> ③
	All switches (except 30–100A DG) 2NO/2NC	<b>DS200EK2</b> ③
	NEMA 7/9 switches (30–100A) 1NO/1NC	<b>178C265G05</b>
	NEMA 7/9 switches (30–100A) 2NO/2NC	<b>178C265G06</b>
	<b>Copper Lug Kits</b>	
	30A DH, DT ④	<b>DS16CL</b>
	60A DH, DT ④	<b>DS26CL</b>
	100A DH, DT ④	<b>DS36CL</b>
	200A DH ④	<b>DS46CL</b>
	400A DH (NEMA 4, 4X, 12 enclosures) ⑤	<b>DS56CL</b>
600–800A DH (NEMA 4, 4X, 12 enclosures) ⑤	<b>DS66CL</b>	

## Safety Switches, continued

	Description	Catalog Number	
	<b>Crimp Lug Pad Kit (NEMA 4, 4X, 12 Enclosures Only)</b>		
	400–600A DH ④	<b>DS56CK</b>	
	800A DH ⑤	<b>DS76CK</b>	
	400–800A neutral DH ②	<b>DS800CNK</b>	
	<b>Fuse Puller Kits</b>		
	30A DH ④	<b>DS30FP</b>	
	60A DH ④	<b>DS60FP</b>	
	100A DH ④	<b>DS100FP</b>	
	200A DH ④	<b>DS200FP</b>	
	<b>"J" Fuse Adapter Kits</b> ⑥⑦		
	60A 240V DH ④	<b>DS22JK</b>	
	60A DH, DT and receptacle switches ④	<b>DS26JK</b>	
	400A 600V DT ⑧	<b>DT400JK</b>	
	600A 240–600V DH, 600A DG ⑤	<b>DS600JK</b>	
	<b>"R" Fuse Adapter Kits</b> ④		
	30A DG	<b>DG030RB</b>	
	100A DG	<b>DG100RB</b>	
	30A 240V DH, DT	<b>DS12FK</b>	
	30A 600V DH, DT, 60A 240V DH, DT, 60A DG	<b>DS16FK</b>	
	60A 600V DH, DT	<b>DS26FK</b>	
	100A 240–600V DH, DT	<b>DS36FK</b>	
	200A 240–600V DH, DT, 200A DG	<b>DS46FK</b>	
	400A 240–600V DH, 240V DT, 400A DG	<b>DS56FK</b>	
	600A 240–600V DH, DT, 600A DG	<b>DS66FK</b>	
		<b>"T" Fuse Adapter Kits</b>	
		200A 240V DH ④	<b>DS426TK</b>
		200A 600V DH ④	<b>DS466TK</b>
400A 240V DG, DH, DT ⑤		<b>DS526TK</b>	
400A 600V DH ⑤		<b>DS566TK</b>	
600A 240V DG, DH ⑤		<b>DS626TK</b>	
600A 600V DH ⑤		<b>DS666TK</b>	
600A 240V ⑤		<b>DT626TK</b>	
600A 600V ⑤		<b>DT666TK</b>	
800A 240V DH ⑤		<b>DS726TK</b>	
800A 600V DH, DT ⑤	<b>DS766TK</b>		
<b>Miscellaneous Kits</b>	Hookstick handle	<b>DH800HSH</b>	
	Lubricating grease for safety switch blades and contacts (each kit contains three 30 cc tubes of lubricating grease)	<b>DSLUBEKIT</b>	

## Notes

- ① Ground bar kit is not listed on device publications.
- ② Order one kit per switch.
- ③ For duty ratings, see table on following page.
- ④ Order one kit for three poles.
- ⑤ Order one kit for each pole.
- ⑥ 30A Class J available as factory option only.
- ⑦ If Class J fuse kit is not listed, then switch will accept Class J fusing by repositioning either fuse base or fuse clips. No drilling required.
- ⑧ Order one kit for six poles.

Accessories are not applicable to NEMA 7/9 switches unless indicated otherwise.

**Auxiliary Contact Rating****AC Pilot Duty Ratings**

Catalog Number	Description	Volts	Break (Amperes)	Make (Amperes)
DS200EK1	1NO-1NC	110	15.0	40.0
DS200EK1	1NO-1NC	220	10.0	20.0
DS200EK1	1NO-1NC	440	6.0	10.0
DS200EK1	1NO-1NC	600	5.0	8.0
DS200EK2	2NO/2NC	110	3.0	30.0
DS200EK2	2NO/2NC	220	1.5	15.0
DS200EK2	2NO/2NC	440	1.0	8.0
DS200EK2	2NO/2NC	600	0.8	6.0

**DC Pilot Duty Ratings**

Catalog Number	Description	Volts	Single Throw (Amperes)	Double Throw (Amperes)
DS200EK1	1NO-1NC	115	2.0	0.5
DS200EK1	1NO-1NC	230	0.5	0.2
DS200EK1	1NO-1NC	600	0.1	0.02
DS200EK2	2NO/2NC	115	1.0	0.2
DS200EK2	2NO/2NC	230	0.3	0.1
DS200EK2	2NO/2NC	600	0.1	—

Approximate Dimensions in Inches (mm)

**DS050MH****Myers Type Hubs**

NEMA 3R (400A and above)  
NEMA 4, 4X (stainless steel), 12

Catalog Number	Conduit Size
DS050MH	0.50 (12.7)
DS075MH	0.75 (19.1)
DS100MH	1.00 (25.4)
DS125MH	1.25 (31.8)
DS150MH	1.50 (38.1)
DS200MH	2.00 (50.8)
DS250MH	2.50 (63.5)
DS300MH	3.00 (76.2)
DS350MH	3.50 (88.9)
DS400MH	4.00 (101.6)
DS500MH	5.00 (127.0)

**DS075H1****Plate Type Hubs**

For NEMA 3R enclosures (up to 200A)

**Group 1**  
General-Duty, Heavy-Duty,  
Double-Throw Through 100A

Catalog Number	Conduit Size
DS075H1	0.75 (19.1)
DS100H1	1.00 (25.4)
DS125H1	1.25 (31.8)
DS150H1	1.50 (38.1)
DS200H1	2.00 (50.8)

**Group 2**  
General-Duty, Heavy-Duty,  
Double-Throw—200A

Catalog Number	Conduit Size
DS200H2	2.00 (50.8)
DS250H2	2.50 (63.5)
DS300H2	3.00 (76.2)
—	—
—	—

Catalog number **DS900AP** adapter kit permits installation of Group 1 hubs on 200A type general-duty, heavy-duty and double-throw switches.

## Modifications—Flex Center

### Introduction

The Switching Device Flex Center is a special facility at the site of Eaton's Cleveland, Tennessee plant that is dedicated to providing customized safety switches and enclosed breakers that meet customer's challenging applications.

### Common Flex Center Design Offerings

Modification	Catalog Suffix	Description
Custom paint	(varies)	Special paint colors are available such as red, orange, yellow, green, black, white. Other colors may be available upon request. Custom color is applied over the standard ANSI-61 gray finish.
Nameplates	-00NP	Plastic or phenolic nameplates are available. Up to three lines of text, 25 characters per line. Standard offering is white with black letters. Custom colors and sizes available upon request. Specify text at order entry.
Lock on provisions	-00LO	Available on heavy-duty and double-throw safety switches. Provision will accept a single lock.
Trapped key interlock	-00TK	Available on heavy-duty and double-throw safety switches. Trapped key systems are used on safety switches to prevent unauthorized operations or to predetermine a series of power transfers by an authorized operator.
Upper viewing window	W	An upper viewing window is centered over the switching contacts to provide visual verification of ON/OFF status. Available on NEMA 12/3R and NEMA 4X stainless steel heavy-duty and double-throw safety switches. <b>Note:</b> 30–100 A switches are now provided with a full view cover window for both blade and blown fuse viewing.
Lower viewing window	LW	A lower viewing window is centered over the fuses and provides visual verification of blown fuse indicators. Available on 200–1200 A NEMA 12/3R and NEMA 4X stainless steel heavy-duty and double-throw safety switches. Available for fusible switches only. <b>Note:</b> 30–100 A switches are now provided with a full view cover window for both blade and blown fuse viewing.
Neutral assemblies	N	Factory install of field neutral accessory kits. Add Suffix N on non-fusible switches, or replace the 6th character "F" with "N" on fusible switches.
Class "R" fuse clips	5 or 6	Factory installed Class R fuse clips/provisions. Add Suffix 5 for 240 V switches, and Suffix 6 for 600 V switches. Available on 30–600 A safety switches.
Class "T" fuse clips	T	Factory installed Class T fuse clips/provisions. Available on 200–1200 A safety switches.
Class "J" fuse clips	J	Factory installed Class J fuse clips/provisions. Available on 30–600 A safety switches. <b>Note:</b> Field modification kits are not available for 30 A heavy-duty safety switches. 30 A switches requiring Class J fusing must be ordered factory installed with J suffix.
Fungus proofing	-00FP	All non-metallic components of the switch are coated with a moisture and fungus-resistant varnish. The inhibitor used meets military specification: MIL-V-173C for MOISTURE AND FUNGUS-RESISTANT TREATMENT. The treated switch meets military specification MIL-T-152E for MOISTURE AND FUNGUS-RESISTANT TREATMENT OF COMMUNICATIONS, ELECTRONICS, AND ASSOCIATED EQUIPMENT. Not UL Listed.
Fuse pullers	FE	Factory installed fuse pullers. <b>Note:</b> Standard NEMA 12/3R and 4X switches 30–200 A are supplied with fuse pullers from the factory.
Crimp lug pads	-00CK	Factory installed crimp lug pad kits. Available on 400–800 A safety switches. Crimp lugs are not included. <b>Note:</b> Standard heavy-duty Type DH switches 30–200 A are adaptable to crimp lugs; simply remove the box lugs.
Copper lugs	-00CL	Factory installed copper lug kits. Available on 30–800 A safety switches.
Ground lug kits factory installed	G	Factory installed ground lug kits. Provides additional ground lug capacity when compared to ground lugs that come with standard safety switches. Available on 30–1200 A safety switches.
Custom lugs	-000L	Customer-specified lug arrangements are available on heavy-duty and double-throw safety switches.
Auxiliary contacts	2 or 3	Factory installed auxiliary contact kits (DS200EK1 or DS200EK2). Auxiliary contacts are Early-Make/Early-Break operation. To specify 1NO/1NC contact, add Suffix 2. To specify 2NO/2NC contacts, add Suffix 3.
Control pole	-00CP	The K-Series control pole provides one NO contact. It mounts in the exact location as the neutral block using the same pre-drilled holes. This is directly connected to the power pole operating shaft. Direct connection and visible blades provide more secure electrical interlocking than handle linkage operation of a snap/switch type interlock. This reliability meets the requirements of many specifications for four-pole switches when the fourth pole is required for secure electrical interlocking. This control pole provides Same-Make/Same-Break operation.
Control pole with offset	-0CP2	Same as above except this control pole provides Late-Make/Early-Break operation. Both Control Pole options are provided when you purchase the DS16CP field kit.
Switching neutral double throws	SN	UL Listed for three-pole and four-pole non-fusible double-throw safety switches. Switching neutrals are required for separately derived systems when bonding the neutral of the generator to a grounding system at the generator.
Surge protection	(varies)	Factory installed Eaton Type 1 (SP1 series) or Type 2 (CVX series) surge protective device products. SPD installed and wired to load side of disconnect.

### Additional Flex Center Design Offerings

- Left-hand design (30–200A)
- Cover controls
- 200% neutrals
- Seam-welded stainless steel
- Quick Connect products with Cam-Lok and Posi-Lok receptacles
- Custom enclosures
- 316 grade stainless steel
- Mill duty switches
- Irrigation switches
- Fuses installed
- Hook stick handles (heavy-duty switches only)
- Custom labels
- Custom mounting
- Pad-mount designs
- Non-standard receptacles
- Enhanced visible blade
- Voltage indicators

### Contact

For more information on these or any other modifications, please contact the Switching Device Flex Center at 1-888-329-9272, email [FlexSwitches@eaton.com](mailto:FlexSwitches@eaton.com) or visit [Eaton.com/FlexCenter](http://Eaton.com/FlexCenter).

## Technical Data and Specifications

### Standard Lug Capacities

Description	Minimum Wire Size	Maximum Wire Size	Wire Type
30A DP	#14	#10	CU
	#12	#10	AL
30A DG	#14	#6	CU/AL
30A DH, DT	#14	#2	CU/AL
60A DG	#14	#1/0	CU/AL
60A DH, DT	#14	#2	CU/AL
100A DG ①	#14	#1/0	CU/AL
100A DH, DT	#14	#1/0	CU/AL
200A DG, DT	#6	250 kcmil	CU/AL
200A DH Type 1 and 3R	#6	250 kcmil	CU/AL
200A DH Type 4X and 12	#6	300 kcmil	CU/AL
400A DG, DH, DT ②	(2) #1/0	(2) 300 kcmil	CU/AL or ③
	(1) #1/0	(1) 750 kcmil	CU/AL
600A DG, DH	(1) #2	(1) 600 kcmil	CU/AL and ④
	(1) #1/0	(1) 750 kcmil	CU/AL
600A non-fusible DT	(2) 250	(2) 500 kcmil	CU/AL
800A DH	(4) #1/0	(4) 750 kcmil	CU/AL
600A fusible DT, 800A DT	(3) #250	(3) 500 kcmil	CU/AL
1200A DH, DT	(4) #1/0	(4) 750 kcmil	CU/AL
<b>Copper-Bodied Lugs ⑤</b>			
30A CU	#14	#6	CU
60A CU	#14	#4	CU
100A CU	#6	#1/0	CU
200A CU	#6	250 kcmil	CU
400A CU Type 4, 4X, and 12	#1/0	500 kcmil	CU
600-800A CU Type 4, 4X and 12	(2) #1/0	(2) 500 kcmil	CU

#### Notes

- ① The maximum size aluminum or copper-clad wire allowable for applications where the conductor enters or leaves the enclosure through the wall opposite its terminal is #1 gauge.
- ② Applicable to DG/DH non-fused NEMA 1 and 3R only. The maximum size wire allowable for applications where the conductor enters or leaves the enclosure through the wall opposite its terminal is 250 kcmil.
- ③ Single barrel lug that accepts one or two cables per phase as detailed above.
- ④ Double barrel lug that accepts 2 cables per phase as detailed above.
- ⑤ No Copper-Bodied Lugs are available for 1200A switches. No Copper-Bodied Lugs are available for larger than 500 kcmil cables. No Copper-Bodied Lugs are available for 400–800A NEMA 1 or NEMA 3R switches.

Although certain lug capacities are larger than required, only minimum wire bending space is provided per the requirements noted in NEC®. A factory-installed ground lug is supplied in all heavy-duty safety switches.

Alternate Lug Capacities <sup>①</sup>

Description	Minimum Wire Size	Maximum Wire Size	Wire Type	Catalog Number Suffix	Line/Load <sup>②</sup>
30A, 60A, 100A DH fusible	(3) #14	(3) #2	CU/AL	-00LA <sup>③</sup>	
30A, 60A, 100A DH	(3) #14	(3) #2	CU/AL	-LALN <sup>③</sup>	Line lugs only
30A, 60A, 100A DH fusible	(3) #14	(3) #2	CU/AL	-LALD <sup>③</sup>	Load lugs only
30A, 60A, 100A DH fusible	(2) #14	(2) #2/0	CU/AL	-00LB <sup>③</sup>	
30A, 60A, 100A DH	(2) #14	(2) #2/0	CU/AL	-LBLN <sup>③</sup>	Line lugs only
30A, 60A, 100A DH fusible	(2) #14	(2) #2/0	CU/AL	-LBLD <sup>③</sup>	Load lugs only
30A, 60A DH	#14	#1/0	CU/AL	-LSE3 <sup>④</sup>	
100A DH Type 1 and 3R	#6	250 kcmil	CU/AL	-LSE4 <sup>④</sup>	
100A DH Type 4X and 12	#6	300 kcmil	CU/AL	-LSE4 <sup>④</sup>	
200A DH	(2) #1/0	(2) 300 kcmil	CU/AL <b>or</b> <sup>⑤</sup>	-LSE5 <sup>⑥</sup>	
	(1) #1/0	(1) 750 kcmil	CU/AL		
400A DH	(1) #2	(1) 600 kcmil	CU/AL <b>and</b> <sup>⑦</sup>	-LSE6 <sup>⑧</sup>	
	(1) #1/0	(1) 750 kcmil	CU/AL		
600A DH	(4) #1/0	(4) 750 kcmil	CU/AL	-LSE7 <sup>⑨</sup>	

**Notes**

- ① Alternate Lugs are available as Factory Installed options only, through the Switching Device Flex Center. Field Kits are not available.
- ② The Alternate Lugs will be provided on both Line and Load side, unless otherwise noted.
- ③ Uses the 100A switch enclosure and dimensions.
- ④ Uses the 200A switch enclosure and dimensions.
- ⑤ Single barrel lug that accepts one or two cables per phase as specified in table.
- ⑥ Uses the 400A switch enclosure and dimensions.
- ⑦ Double barrel lug that accepts two cables per phase as specified in table.
- ⑧ Uses the 600A switch enclosure and dimensions.
- ⑨ Uses the 800A switch enclosure and dimensions.

Although certain lug capacities are larger than required, only minimum wire bending space is provided per the requirements noted in NEC<sup>®</sup>.

A factory-installed ground lug is supplied in all heavy-duty safety switches.

## Standard Ground Lug Capacities

Description	Minimum Wire Size	Maximum Wire Size	Wire Type
30, 60, 100A DG	#14	#4	CU/AL
200A DG	(2) #14	(2) #2	CU/AL
400, 600A DG	(2) #6	(2) 250 kcmil	CU/AL
30, 60, 100A DH	#14	#4	CU/AL
200A DH Type 1 and 3R	(2) #14	(2) #2	CU/AL
200A DH Type 4X and 12	#14	#4	CU/AL
400A, 600A, 800A, 1200A DH	(2) #6	(2) 250 kcmil	CU/AL
30, 60, 100A DT	(3) #14	(3) #2	CU/AL
200A DT	(3) #14	(3) #2	CU/AL
400A DT	(3) #6	(3) 250 kcmil	CU/AL
600A, 800A, 1200A DT	(4) #6	(4) 250 kcmil	CU/AL

Additional Grounding (Suffix G) Lug Capacities <sup>①</sup>

Description	Minimum Wire Size	Maximum Wire Size	Wire Type
30, 60, 100A DG	(7) #14	(7) #4	CU/AL
200A DG	(3) #14	(3) #2	CU/AL
400, 600A DG	(4) #6	(4) 250 kcmil	CU/AL
30, 60, 100A DH	(7) #14	(7) #4	CU/AL
200A DH Type 1 and 3R	(3) #14	(3) #2	CU/AL
200A DH Type 4X and 12	(2) #14	(2) #2	CU/AL
400A, 600A, 800A, 1200A DH	(4) #6	(4) 250 kcmil	CU/AL
30, 60, 100A DT	(7) #14	(7) #4	CU/AL
200A DT	(5) #14	(5) #2	CU/AL
400A DT	(6) #6	(6) 250 kcmil	CU/AL
600A, 800A, 1200A DT	(6) #6	(6) 250 kcmil	CU/AL

## Ground Lug Kit Capacities

Ground Lug Kit	Minimum Wire Size	Maximum Wire Size	Wire Type
DG030GB	#14	#4	CU/AL
DS100GK	(7) #14	(7) #4	CU/AL
DS200GK	(2) #14	(2) #2	CU/AL
DS468GK	(2) #6	(2) 250 kcmil	CU/AL

**Note**

- <sup>①</sup> Additional Grounding is available as a Factory Modification, through the Switching Device Flex Center. Add Suffix G to the end of switch catalog number.

## Neutral Lug Kit Capacities

Neutral Kit	Minimum Wire Size	Maximum Wire Size	Wire Type
DG030NB	(2) #14	(2) #4	CU/AL
DG100NB	(3) #14	(3) #1/0	CU/AL
DG200NK	(2) #6 (2) #14	(2) 300 kcmil (2) #2	CU/AL <b>and</b>
DH030NK	(4) #14	(4) #2	CU/AL
DH100NK	(2) #14 (2) #14	(2) #2 (2) #1/0	CU/AL <b>and</b>
DH200NK	(2) #14 (2) #6	(2) #2 (2) 300 kcmil	CU/AL <b>and</b>
DS400NK	(2) #1/0 (4) #2 (3) #6	(2) 750 kcmil (4) 600 kcmil (3) 250 kcmil	CU/AL <b>or</b> <b>and</b>
DS600NK	(2) #1/0 (2) #2 (3) #6	(2) 750 kcmil (2) 600 kcmil (3) 250 kcmil	CU/AL <b>and</b>
DS800NK	(8) #1/0 (3) #6	(8) 750 kcmil (3) 250 kcmil	CU/AL <b>and</b>
DT100NK	#14 (3) #14	#2 (3) #1/0	CU/AL <b>and</b>
DT200NK	#14 (3) #6	#2 (3) 250 kcmil	CU/AL <b>and</b>
DT400NK	(7) #6	(7) 250 kcmil	CU/AL
DT600NK	#6 (6) 250 kcmil	250 kcmil (6) 500 kcmil	CU/AL <b>and</b>
DS800NK	(3) #6 (8) #1/0	(3) 250 kcmil (8) 750 kcmil	CU/AL <b>and</b>
DT800NK	(2) #6 (9) 250 kcmil	(2) 250 kcmil (9) 500 kcmil	CU/AL <b>and</b>
DT1200NK	(3) #6 (12) #1/0	(3) 250 kcmil (12) 750 kcmil	CU/AL <b>and</b>

**General-Duty****Short-Circuit Ratings Using Class “R,” “J” or “T” Fusing Where Applicable** <sup>①</sup>

Ampere Rating	Short-Circuit Ratings (Amperes)	
	Type 1	Type 3R
30	100k at 240V	100k at 240V
60	100k at 240V	100k at 240V
100	100k at 240V	100k at 240V
200	100k at 240V	100k at 240V
400	100k at 250V	100k at 250V
600	100k at 250V	100k at 250V

**Shunt Trip Safety Switch****Short-Circuit Ratings Using Class “R,” “J,” “L” or “T” Fusing Where Applicable** <sup>②</sup>

Ampere Rating	Short-Circuit Ratings (Amperes)	
	480V	600V
30	200 kAIC	200 kAIC
60	200 kAIC	200 kAIC
100	200 kAIC	200 kAIC
200	200 kAIC	100 kAIC
400	200 kAIC	100 kAIC
600	200 kAIC	100 kAIC
800	200 kAIC	200 kAIC

**Heavy-Duty****Short-Circuit Ratings Using Class “R,” “J,” “L” or “T” Fusing Where Applicable** <sup>①</sup>

Ampere Rating	Short-Circuit Ratings (Amperes)			
	Type 1	Type 3R	Type 12	Type 4 and 4X
30	200k at 600V	200k at 600V	200k at 600V	200k at 600V
60	200k at 600V	200k at 600V	200k at 600V	200k at 600V
100	200k at 480V 100k at 600V	200k at 480V 100k at 600V	200k at 600V	200k at 600V
200	200k at 600V	200k at 600V	200k at 600V	200k at 600V
400	200k at 480V 100k at 600V	200k at 480V 100k at 600V	200k at 480V 100k at 600V	200k at 480V 100k at 600V
600	200k at 480V 100k at 600V	200k at 480V 100k at 600V	200k at 480V 100k at 600V	200k at 480V 100k at 600V
800 <sup>③</sup>	200k at 480V 100k at 600V	200k at 480V 100k at 600V	200k at 480V 100k at 600V	200k at 480V 100k at 600V
1200 <sup>③</sup>	200k at 600V	200k at 600V	200k at 600V	200k at 600V

**Double Throw****Short-Circuit Ratings Using Class “R,” “J,” “L” or “T” Fusing where Applicable** <sup>③④⑤⑥⑦</sup>

Ampere Rating	Short-Circuit Ratings (Amperes) (600V)			
	Type 1	Type 3R	Type 12	Type 4 and 4X
30	100k	100k	100k	100k
60	100k	100k	100k	100k
100	100k	100k	100k	100k
200	100k	100k	100k	100k
400	100k	100k	100k	100k
600	100k	100k	100k	100k
800	100k	100k	—	—
1200	100k	100k	—	—

**Notes**

- ① Class “H” fuse clips supplied as standard for 30–600A. Rated at 10,000A rms symmetrical when using Class “H” fuses.
- ② Non-fusible values are based on combination rating with upstream device (see TD00801005E).
- ③ Class “L” fuse connectors supplied as standard for 800A and 1200A.
- ④ Class “H” fuse clips supplied as standard for 30–600A, except Class “T” for 400A at 600V and 600A at 240V. Rated at 10,000A rms symmetrical when using Class “H” fuses.
- ⑤ Safety switch short-circuit ratings are applicable to AC only.
- ⑥ Safety switch  $I^2t$  and  $I_p$  values are identical to UL maximum acceptable  $I^2t$  and  $I_p$  values for the corresponding class fuse.
- ⑦ Table above is not applicable to the compact design shown on **Page V2-T1-47**. The compact design is suitable for use on a circuit capable of delivering not more than 10,000 rms symmetrical amperes.

**Short-Circuit Ratings of Non-Fusible Switches**

The UL listed short-circuit ratings for Eaton non-fusible switches are based on the switches being properly protected by overcurrent protective devices. For applications that require a UL listed short-circuit rating of 10,000 rms symmetrical amperes or less, an Eaton non-fusible switch must be properly protected by any overcurrent protective device rated no greater than the ampere rating of the switch. For applications that require a UL listed short-circuit rating of greater than 10,000 rms symmetrical amperes, an Eaton non-fusible switch

must be properly protected by the appropriate class and size fusing noted. Otherwise, this non-fusible switch must be replaced with an Eaton fusible switch that uses the appropriate fusing required. Molded case circuit breaker protection of non-fusible Eaton switches for applications that require a short-circuit rating of greater than 10,000 rms symmetrical amperes has been evaluated and is summarized below. Refer to the reference tables for typical Eaton fusible switch UL listed short-circuit ratings.

**UL Recognized Safety Switch/Circuit Breaker Series-Connected Ratings**

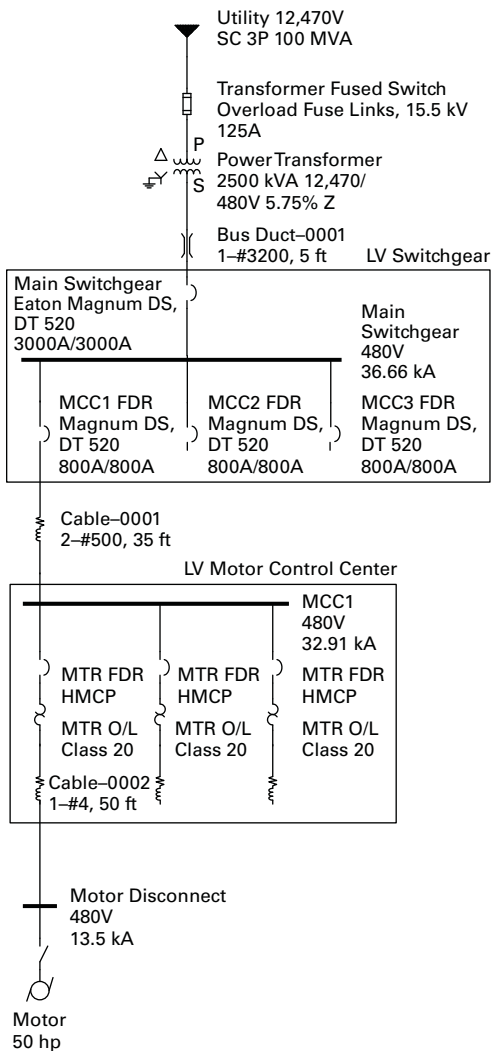
<b>Safety Switch Ampere Rating</b>	<b>Maximum System Voltage AC</b>	<b>Circuit Breaker Maximum Short-Circuit Rating (rms Symmetrical)</b>	<b>Circuit Breaker Frame(s)</b>
30 and 60	600	25,000	FDC, HFD, HFDE, EGH
		18,000	FD, EGE
		14,000	FDB
100	600	25,000	FDC, HFD, HFDE, EGH
		18,000	FD, EGE
		14,000	FDB
	480	35,000	EGH, EGS
200	600	25,000	FDC, HFD, HFDE, HJD, JGH
		18,000	FD, JD, JGE
		14,000	FDB
	480	65,000	HFD, HFDE, HJD, JGH

#### Product Enhancement

Eaton non-fusible safety switches, per table below, within the noted ampere ratings, now carry series combination short-circuit ratings as shown when combined with the identified MCCB or fuse type. With this listed rating, the safety switch shown in the one-line diagram, can be correctly applied **when the motor feeder Eaton HMCP circuit breaker is replaced with an**

**Eaton molded case circuit breaker** properly sized for the motor hp rating. This is a significant enhancement to the product's performance rating. To achieve these ratings, the switches have been tested in combination with all of the overcurrent devices shown. Furthermore, the applicable combination ratings are marked on the inside of the switch door, ensuring inspector approval.

#### One-Line Diagram



#### Information and Application

The circuit breaker or fuse rating is not to exceed the ampere rating of the non-fusible switch. When used on systems with greater than 10 kA short-circuit rating available, the UL Listed short-

circuit rating of the non-fusible switch is based upon the switch being used in combination with fuses or molded case circuit breakers identified in the table below.

#### Non-Fusible Safety Switches

Eaton Non-Fusible Safety Switch Ampere Rating <sup>①</sup>	Maximum System Voltage AC	Maximum Short-Circuit Rating	Upstream Device <sup>②</sup>	
			Fuse Class	Breaker Frame
30 and 60	600	10,000	H, K	Any circuit breaker
		14,000		FDB
		18,000		FD, EGE
		25,000		FDC, HFD, HFDE, EGH
		200,000	R, T, J, L	
100	480	10,000	H, K	Any circuit breaker
		35,000		EGH, EGS
	600	10,000	H, K	Any circuit breaker
		14,000		FDB
		18,000		FD, EGE
200	480	10,000	H, K	Any circuit breaker
		65,000		HFD, HFDE, HJD, JGH
	600	10,000	H, K	Any circuit breaker
		14,000		FDB
		18,000		FD, JD, JGE
200,000 <sup>③</sup>	600	25,000		FDC, HFD, HFDE, HJD, JGH
		200,000	R, T, J, L	

#### Notes

- ① For use on NEMA 1, 3R, 12/3R and 4X switches.
- ② Fuse or circuit breaker rating is not to exceed switch rating.
- ③ NEMA 12, 4/4X only. NEMA 1, 3R are 100 kAIC at 600 Vac.

### Dimensions

#### Typical Fuse Dimensions in Inches

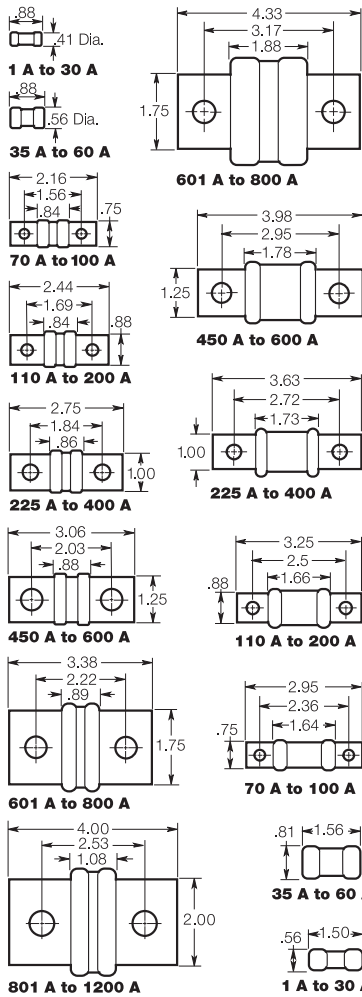
**Note:** For typical fuse dimensions in millimeters, see **Page V2-T1-24**.

#### Class T

##### T-Tron™ Fuses

JJN (300V)

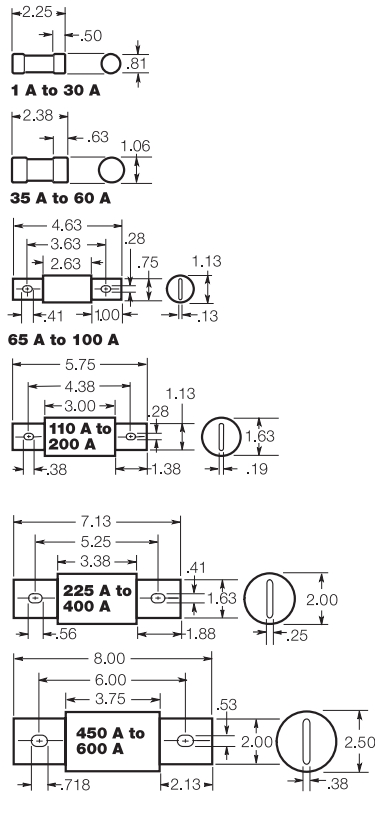
JJS (600V)



#### Class J

##### Low-Peak® and Limitron® Fuses

LPJ & JKS (600V)



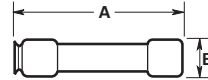
#### Class RK5 and RK1, Class H

(Dimensions Apply)

##### Fusetron®, Low-Peak and Limitron Fuses (250 and 600V)

FRN-R and FRS-R; LPN-RK and LPS-RK; KTN-R and KTS-R  
Basic dimensions are same as Class H (formerly NEC) ONE-TIME (NON and NOS) and SUPERLAG Renewable RES and REN fuses.

**Note:** These fuses can be used to replace existing Class H, RK1 and RK5 fuses relating to dimensional compatibility.



Ampere	250V		600V	
	A	B	A	B
1/10-30	2.00	0.56	5.00	0.81
35-60	3.00	0.81	5.50	1.06



##### Fusetron and Limitron

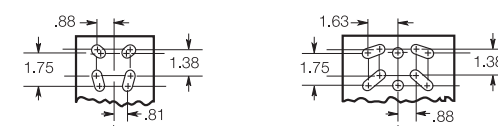
Ampere	250V		600V	
	A	B	A	B
70-100	5.88	1.06	7.88	1.34
110-200	7.13	1.56	9.63	1.84
225-400	8.63	2.06	11.63	2.59
450-600	10.38	2.59	13.38	3.13

##### Low-Peak

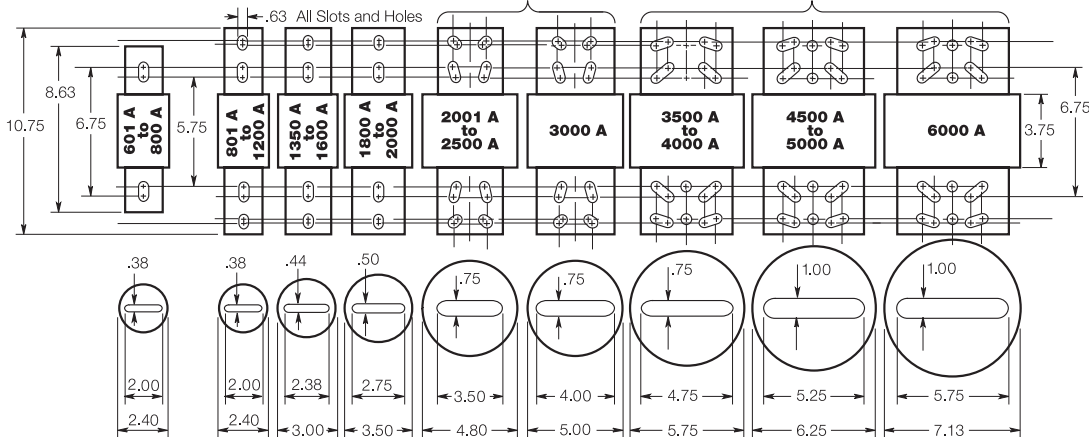
Ampere	250V		600V	
	A	B	A	B
70-100	5.88	1.16	7.88	1.16
110-200	7.13	1.66	9.63	1.66
225-400	8.63	2.38	11.63	2.38
450-600	10.38	2.88	13.38	2.88

#### Class L Low-Peak and Limitron Fuses

KRP-C, KTU & KLU (601-4000A) (600V)



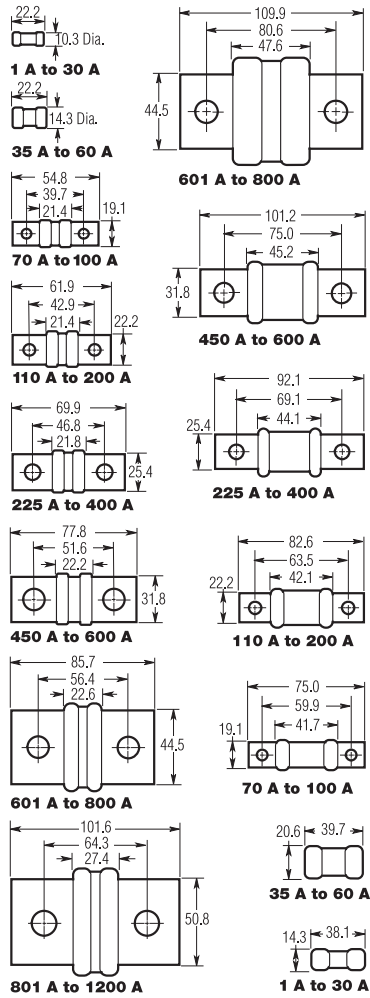
**Note:** KRP-CL (150-600A) fuses have same dimensions as 601-800A case size. KTU (200-600A) have same dimensions, except tube 3-inch lgth. x 2-inch dia.; terminal 1.63-inch width x 1.25-inch thick.



#### Typical Fuse Dimensions in Millimeters

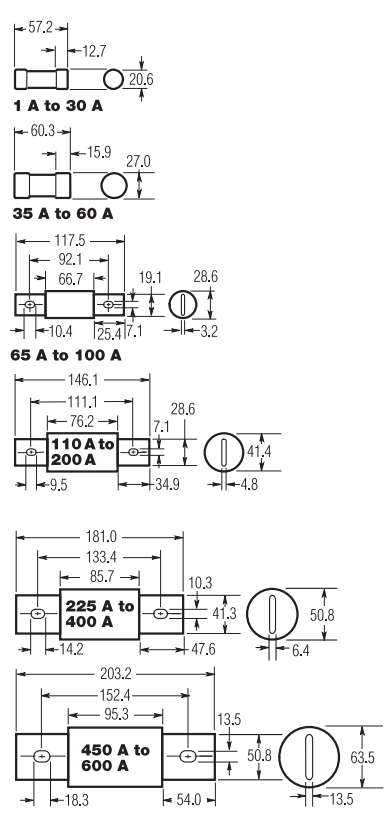
#### Class T

T-Tron Fuses  
JJN (300V) JJS (600V)



#### Class J

Low-Peak and Limitron Fuses  
LPJ and JKS (600V)



Fusetron, Low-Peak and Limitron Fuses (250 and 600V)  
FRN-R and FRS-R; LPN-RK and LPS-RK; KTN-R and KTS-R

Basic dimensions are same as Class H (formerly NEC) ONE-TIME (NON and NOS) and SUPERLAG Renewable RES and REN fuses.

**Note:** These fuses can be used to replace existing Class H, RK1 and RK5 fuses relating to dimensional compatibility.

Ampere	250V		600V	
	A	B	A	B
1/10-30	50.8	14.3	127.0	20.6
35-60	76.2	20.6	139.7	27.0

Fusetron and Limitron

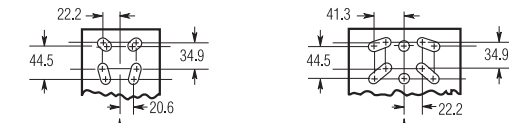
Ampere	250V		600V	
	A	B	A	B
70-100	149.2	26.9	200.0	34.0
110-200	181.0	39.6	244.5	46.7
225-400	219.1	52.3	295.3	65.8
450-600	263.5	65.8	339.7	79.5

Low-Peak

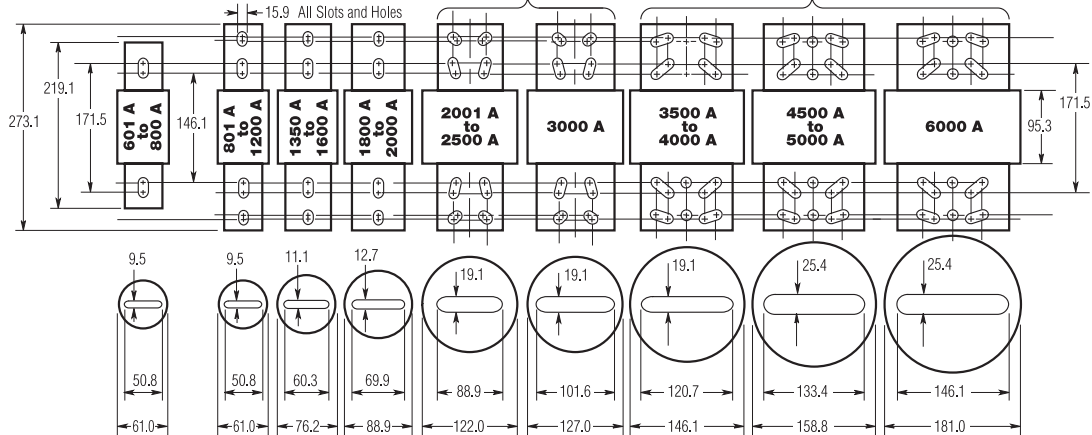
Ampere	250V		600V	
	A	B	A	B
70-100	149.2	29.5	200.0	29.5
110-200	181.0	42.2	244.5	42.2
225-400	219.1	60.5	295.3	60.5
450-600	263.5	73.2	339.7	73.2

#### Class L Low-Peak and Limitron Fuses

KRP-C, KTU and KLU (601-4000A) (600V)



**Note:** KRP-CL (150-600A) fuses have same dimensions as 601-800A case size. KTU (200-600A) have same dimensions, except tube 76.2 mm lgth. x 50.8 mm dia.; terminal 41.3 mm width x 31.8 mm thick.



## Cartridge Fuse General-Duty Safety Switch



## Contents

<i>Description</i>	<i>Page</i>
Product Overview . . . . .	V2-T1-2
General Duty . . . . .	V2-T1-25
Standards and Certifications . . . . .	V2-T1-26
Product Selection . . . . .	V2-T1-27
Dimensions . . . . .	V2-T1-29
Heavy-Duty . . . . .	V2-T1-30
Heavy-Duty Double Door Safety Switch . . . . .	V2-T1-39
Six-Pole Switches . . . . .	V2-T1-43
Double-Throw Switches . . . . .	V2-T1-46
EnviroLine Stainless Steel Switch . . . . .	V2-T1-53
Window Switches . . . . .	V2-T1-57
Receptacle Switches . . . . .	V2-T1-60
Non-Metallic KRYDON Switch . . . . .	V2-T1-62
Shunt Trip Safety Switch . . . . .	V2-T1-65
NEMA 7/9—Hazardous Location Disconnect Switch . . . . .	V2-T1-68
Quick-Connect Switches . . . . .	V2-T1-70
Solar Disconnect Switch . . . . .	V2-T1-75
Mill-Duty Rated, Heavy-Duty Safety Switch . . . . .	V2-T1-77
Heavy-Duty Fusible Safety Switches Accepting CUBEFuses . . . . .	V2-T1-79
Elevator Control Switch . . . . .	V2-T1-82
Auxiliary Power Heavy-Duty Safety Switch . . . . .	V2-T1-85
Left-Handed Safety Switch . . . . .	V2-T1-89
Heavy-Duty Surge Switch . . . . .	V2-T1-90
OEM Line Isolation (OLI) Switch . . . . .	V2-T1-92
Pringle Bolted Pressure Switch . . . . .	V2-T1-95
Type DS, Fusible and Non-Fusible . . . . .	V2-T1-98
Type Visi-Flex DE-ION . . . . .	V2-T1-101
Flange Mounted—Variable Depth . . . . .	V2-T1-105
Flange Mounted—Fixed Depth . . . . .	V2-T1-109

## General Duty

## Product Description

- 30–600A
- Suitable for service entrance applications unless otherwise noted
- Fusible and non-fusible switches are 100% load break and 100% load make rated
- The continuous load current of fusible switches is not to exceed 80% of the rating of fuses employed in other than motor circuits. Non-fusible switches are 100% fully rated
- 200–600A features K-Series design
- Horsepower rated

- Fusible and non-fusible switches. Single-pole S/N through four-wire; 120/240, and 240 Vac
- With Class R fuses, switches may be used on systems capable of delivering 100,000A rms symmetrical

**Note:** Plug fuse switches are not service entrance rated.

- Bolt-on hub provision. Provided for general-duty switches in a NEMA 3R enclosure. See **Page V2-T1-14** for selection

## Application Description

For residential and commercial applications. Suitable for light-duty motor circuits and service entrance.

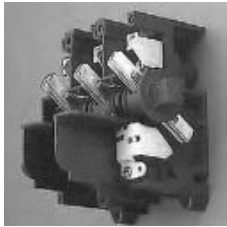
## Features, Benefits and Functions

## General-Duty (Cartridge Fuse)

- Ample wire bending space provides for easier installation
- Visible double-break quick-make, quick-break rotary blade mechanism
- Side opening door on all enclosures
- Mechanically interlocked cover to prevent easy access when the switch is in the ON position
- With Class R fuses, switches may be used on systems capable of delivering 100,000A rms symmetrical
- Clearly visible and accessible neutral where applicable
- Visible ON/OFF indication
- Tangential knockouts on 30–60A designs
- Ample wiring space
- Double padlocking capability on 30–100A
- Triple padlocking capability on 200–600A
- Additional door locking capability
- Bilingual English/Spanish door label on 30–100A
- Tri-lingual nameplates

All general-duty switches above 100A and all heavy-duty switches incorporate these K-Series switch design features.

- Two points of contact provide a positive open and close, easier operation, and also help prevent contact burning for longer contact life



**Visible Double-Break Rotary Blade Mechanism**

- Protects against accidental contact with energized parts. Probe holes enable the user to test if the line side is energized without removing the shield. Not provided on general-duty switches, but available as a field kit or factory installed



**Clear Line Shield**



**Clearly Visible Handle**

- The position (ON or OFF) can be clearly seen from a distance and the length provides for easy operation



**Triple Padlocking Capability**

- Personnel safety feature because the large hasp can accommodate up to three 3/8-inch (9.5 mm) shank locks



**Additional Locking Capability**

- Cabinet door can be further padlocked at the top and bottom as applicable



**Interlocking Mechanism**

- Door cannot be opened when the handle is in the ON position. Front and side operable defeater mechanism provides for user access when necessary on single-throw switches



**Tangential Knockouts**

- An ample number are provided on the top, bottom and sides of both NEMA Types 1 and 3R enclosures through 200A



**Bolt-On Hub Kits**

- For switches in a NEMA Type 3R, 30–200A. Use a Myers type hub for all others

#### Standards and Certifications

- UL listed File No. E5239
- Meets UL 98 for enclosed switches and NEMA Std. KS-1



#### Seismic Qualifications

- General-duty switches exceed the requirements of Uniform Building Code (UBC) and California Code Title 24 OSP-0011-10, OSP-0012-10



### Product Selection

#### 120/240 Vac General-Duty, Fusible, Single-Throw

DP221NGB



System	Ampere Rating	Fuse Type Provision	Maximum Horsepower Ratings <sup>①</sup>			DC 250V	NEMA 1 Enclosure Indoor Catalog Number	NEMA 3R Enclosure Rainproof Catalog Number
			Single-Phase AC 120V	240V	Three-Phase AC 240V			
<b>Plug Type—Two-Wire (One Blade, One Fuse, S/N)—120 Vac<sup>②</sup></b>								
	30	Plug (Type S, T or W)	1/2–2	—	—	—	DP111NGB <sup>②</sup>	—
<b>Plug Type—Three-Wire (Two Blades, Two Fuses, S/N)—120/240 Vac</b>								
	30	Plug (Type S, T or W)	1/2–2	1-1/2–3	—	—	DP221NGB <sup>②</sup>	Use cartridge-type fuse catalog number DG221NRB
<b>Cartridge Type—Two-Pole Two-Wire (Two Blades, Two Fuses)—240 Vac</b>								
	30	—	—	1-1/2–3	3–7-1/2	—	③	③
	60	—	—	3–10	7-1/2–15	—	③	③
	100	—	—	7-1/2–15	15–30	—	③	③
	200	H	—	15	25–60	—	DG224FGK <sup>④⑤</sup>	DG224FRK <sup>④⑤</sup>
	400	H	—	—	50–125	—	DG225FGK <sup>④⑤</sup>	DG225FRK <sup>④⑤</sup>
	600	H	—	—	75–200	—	DG226FGK <sup>④⑤</sup>	DG226FRK <sup>④⑤</sup>
<b>Cartridge Type—Three-Wire (Two Blades, Two Fuses, S/N)—120/240 Vac</b>								
	30	H	—	1-1/2–3	3–7-1/2 <sup>⑥</sup>	—	DG221NGB	DG221NRB
	60	H	—	3–10	7-1/2–15 <sup>⑥</sup>	—	DG222NGB	DG222NRB
	100	H	—	7-1/2–15	15–30 <sup>⑥</sup>	—	DG223NGB	DG223NRB
	200	H	—	15	25–60 <sup>⑥</sup>	—	DG224NGK	DG224NRK
	400	H	—	—	50–125 <sup>⑥</sup>	50	DG225NGK	DG225NRK
	600	H	—	—	75–200 <sup>⑥</sup>	—	DG226NGK	DG226NRK

#### Notes

- ① Maximum hp ratings apply only when dual element time delay fuses are used.
- ② These switches do not have an interlock that prevents door from being opened when switch is in the ON position.
- ③ Use three-wire catalog numbers below.
- ④ Solid neutral bars are not included. Order separately from table on **Page V2-T1-13**.
- ⑤ **WARNING!** Switch is not approved for service entrance unless a neutral kit is installed.
- ⑥ Grounded B phase rating, UL listed.

All general-duty safety switches are individually packaged.

Accessories are limited in scope on general-duty safety switches. See **Page V2-T1-13** for availability. In addition, clear line shields are available as an accessory on 200–600A general-duty switches. Catalog Numbers: 200A = 70-7759-11, 400A = 70-8063-8, 600A = 70-8064-8.

DG321NRB



120/240 Vac General-Duty, Fusible, Single-Throw, continued

System	Ampere Rating	Fuse Type Provision	Maximum Horsepower Ratings <sup>①</sup>			DC 250V	NEMA 1 Enclosure Indoor Catalog Number	NEMA 3R Enclosure Rainproof Catalog Number
			Single-Phase AC 120V	240V	Three-Phase AC 240V			
<b>Cartridge Type—Three-Pole, Three-Wire (Three Blades, Three Fuses)—240 Vac</b>								
	30	—	—	—	—	—	②	②
	60	—	—	—	—	—	②	②
	100	—	—	—	—	—	②	②
	200	H	—	15	25–60	—	DG324FGK <sup>③④</sup>	②
	400	H	—	—	50–125	—	DG325FGK <sup>③④</sup>	DG325FRK <sup>③④</sup>
	600	H	—	—	75–200	—	DG326FGK <sup>③④</sup>	DG326FRK <sup>③④</sup>
<b>Cartridge Type—Four-Wire (Three Blades, Three Fuses, S/N)—120/240 Vac</b>								
	30	H	—	1-1/2–3	3–7-1/2	—	DG321NGB	DG321NRB
	60	H	—	3–10	7-1/2–15	—	DG322NGB	DG322NRB
	100	H	—	7-1/2–15	15–30	—	DG323NGB	DG323NRB
	200	H	—	15	25–60	—	DG324NGK	DG324NRK
	400	H	—	—	50–125	—	DG325NGK	DG325NRK
	600	H	—	—	75–200	—	DG326NGK	DG326NRK

DG322URB



120/240 Vac General-Duty, Non-Fusible, Single-Throw

System	Ampere Rating	Maximum Horsepower Ratings			DC 250V	NEMA 1 Enclosure Indoor Catalog Number	NEMA 3R Enclosure Rainproof Catalog Number
		Single-Phase AC 120V	240V	Three-Phase AC 240V			
<b>Two-Pole, Two-Wire (Two Blades)—240 Vac</b>							
	30	2	3	—	—	DG221UGB <sup>④</sup>	DG221URB <sup>④</sup>
	60	3	10	—	—	DG222UGB <sup>④</sup>	DG222URB <sup>④</sup>
	100	—	15	—	—	DG223UGB <sup>④</sup>	DG223URB <sup>④</sup>
	200	—	15	—	—	④⑤	DG224URK <sup>④</sup>
<b>Three-Pole, Three-Wire (Three Blades)—240 Vac</b>							
	30	2	3	7-1/2	—	DG321UGB <sup>④</sup>	DG321URB <sup>④</sup>
	60	3	10	15	—	DG322UGB <sup>④</sup>	DG322URB <sup>④</sup>
	100	—	15	30	—	DG323UGB <sup>④</sup>	DG323URB <sup>④</sup>
	200	—	15	60	—	DG324UGK <sup>④</sup>	DG324URK <sup>④</sup>
	400	—	—	125	—	DG325UGK <sup>④</sup>	DG325URK <sup>④</sup>
	600	—	—	200	—	DG326UGK <sup>④</sup>	DG326URK <sup>④</sup>

Notes

- ① Maximum hp ratings apply only when dual element time delay fuses are used.
- ② Use four-wire catalog numbers below.
- ③ Solid neutral bars are not included. Order separately from table on **Page V2-T1-13**.
- ④ **WARNING!** Switch is not approved for service entrance unless a neutral kit is installed.
- ⑤ Use three-wire catalog numbers below.

All general-duty safety switches are individually packaged.

Accessories are limited in scope on general-duty safety switches. See **Page V2-T1-13** for availability. In addition, clear line shields are available as an accessory on 200–600A general-duty switches. Catalog Numbers: 200A = 70-7759-11, 400A = 70-8063-8, 600A = 70-8064-8.

### Dimensions

Approximate Dimensions in Inches (mm)

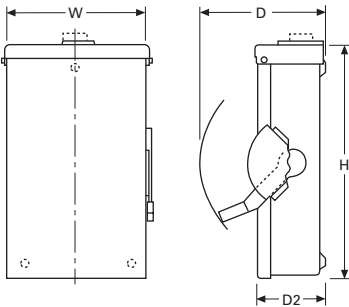
#### Plug Fuse, 120, 120/240V, Single-, Two-Pole Solid Neutral, Single-Throw

Ampere Rating	NEMA 1 Height	Width	Depth
30	6.88 (174.8)	4.94 (125.5)	3.44 (87.4)

#### General-Duty, Non-Fusible, 240V, Three-Pole, Single-Throw ①

Ampere Rating	Width (W)	Height (H)	Depth (D)	Depth (D2)	Weight Lbs (kg)
<b>NEMA 1</b>					
30	6.38 (162.1)	10.69 (271.5)	6.88 (174.8)	3.75 (95.2)	6 (2.724)
60	8.69 (220.7)	14.19 (360.4)	7.38 (187.5)	4.21 (106.9)	9 (4.086)
100	9.13 (231.9)	18.81 (477.8)	7.38 (187.5)	4.23 (107.4)	12 (5.448)
200	16.00 (406.4)	24.75 (628.7)	11.25 (285.8)	6.14 (156.0)	48 (21.792)
400	23.00 (584.2)	44.75 (1136.7)	12.63 (320.8)	7.27 (184.7)	100 (45.4)
600	24.00 (609.6)	52.25 (1327.2)	14.25 (362.0)	8.95 (227.3)	130 (59.02)
<b>NEMA 3R</b>					
30	6.38 (162.1)	10.81 (274.6)	6.88 (174.8)	3.75 (95.2)	6 (2.724)
60	8.69 (220.7)	14.38 (365.3)	7.38 (187.5)	4.21 (106.9)	9 (4.086)
100	9.13 (231.9)	19.25 (489.0)	7.38 (187.5)	4.23 (107.4)	12 (5.448)
200	16.00 (406.4)	25.50 (647.7)	11.25 (285.8)	6.14 (156.0)	55 (24.97)
400	23.00 (584.2)	45.19 (1147.8)	12.63 (320.8)	7.27 (184.7)	105 (47.67)
600	24.00 (609.6)	52.70 (1338.6)	14.25 (362.0)	8.95 (227.3)	135 (61.29)

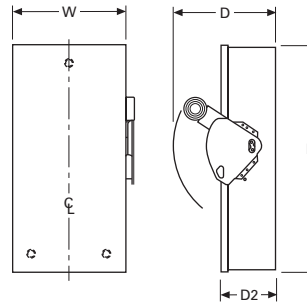
#### NEMA 1, 3R 30–100A General-Duty Non-Fusible and Fusible Single-Throw ②



#### General-Duty, Fusible, 240V, Three-Pole Solid Neutral, Single-Throw ①

Ampere Rating	Width (W)	Height (H)	Depth (D)	Depth (D2)	Weight Lbs (kg)
<b>NEMA 1</b>					
30	6.38 (162.1)	10.69 (271.5)	6.88 (174.8)	3.75 (95.2)	6 (2.724)
60	8.69 (220.7)	14.19 (360.4)	7.38 (187.5)	4.21 (106.9)	10 (4.54)
100	9.13 (231.9)	18.81 (477.8)	7.38 (187.5)	4.23 (107.4)	14 (6.356)
200	16.00 (406.4)	24.75 (628.7)	11.25 (285.8)	6.14 (156.0)	48 (21.792)
400	23.00 (584.2)	44.75 (1136.7)	12.63 (320.8)	7.27 (184.7)	110 (49.94)
600	24.00 (609.6)	52.25 (1327.2)	14.25 (362.0)	8.95 (227.3)	145 (65.83)
<b>NEMA 3R</b>					
30	6.38 (162.1)	10.81 (274.6)	6.88 (174.8)	3.75 (95.2)	6 (2.724)
60	8.69 (220.7)	14.38 (365.3)	7.38 (187.5)	4.21 (106.9)	10 (4.54)
100	9.13 (231.9)	19.25 (489.0)	7.38 (187.5)	4.23 (107.4)	14 (6.356)
200	16.00 (406.4)	25.50 (647.7)	11.25 (285.8)	6.14 (156.0)	55 (24.97)
400	23.00 (584.2)	45.19 (1147.8)	12.63 (320.8)	7.27 (184.7)	115 (52.21)
600	24.00 (609.6)	52.70 (1338.6)	14.25 (362.0)	8.95 (227.3)	150 (68.1)

#### NEMA 1, 3R 200–600A General-Duty Non-Fusible and Fusible Single-Throw



#### Notes

- ① Dimensions are for estimating purposes only.
- ② Figure is not applicable to plug fuse.

#### Heavy-Duty Safety Switch



### Heavy-Duty

#### Product Description

- 30–1200A
- 600 Vac, 600 Vdc maximum
- Horsepower rated
- Fusible and non-fusible switches are 100% load break and 100% load make rated
- The continuous load current of fusible switches is not to exceed 80% of the rating of fuses employed in other than motor circuits. Non-fusible switches are 100% fully rated
- Suitable for service entrance applications unless otherwise noted
- For factory modifications, refer to **Page V2-T1-15**

#### Application Description

For heavy commercial and industrial applications where reliable performance and service continuity are critical.

For the toughest heavy commercial and industrial applications, refer to **Page V2-T1-77** for catalog information on our mill-duty safety switch.

316 Grade stainless steel is often a desirable choice for wastewater treatment plants and petrochemical facilities.

### Contents

<i>Description</i>	<i>Page</i>
Product Overview . . . . .	<b>V2-T1-2</b>
General Duty . . . . .	<b>V2-T1-25</b>
Heavy-Duty	
Standards and Certifications . . . . .	<b>V2-T1-30</b>
Product Selection . . . . .	<b>V2-T1-32</b>
Dimensions . . . . .	<b>V2-T1-38</b>
Heavy-Duty Double Door Safety Switch . . . . .	<b>V2-T1-39</b>
Six-Pole Switches . . . . .	<b>V2-T1-43</b>
Double-Throw Switches . . . . .	<b>V2-T1-46</b>
EnviroLine Stainless Steel Switch . . . . .	<b>V2-T1-53</b>
Window Switches . . . . .	<b>V2-T1-57</b>
Receptacle Switches . . . . .	<b>V2-T1-60</b>
Non-Metallic KRYDON Switch . . . . .	<b>V2-T1-62</b>
Shunt Trip Safety Switch . . . . .	<b>V2-T1-65</b>
NEMA 7/9—Hazardous Location Disconnect Switch . . . . .	<b>V2-T1-68</b>
Quick-Connect Switches . . . . .	<b>V2-T1-70</b>
Solar Disconnect Switch . . . . .	<b>V2-T1-75</b>
Mill-Duty Rated, Heavy-Duty Safety Switch . . . . .	<b>V2-T1-77</b>
Heavy-Duty Fusible Safety Switches Accepting CUBEFuses . . . . .	<b>V2-T1-79</b>
Elevator Control Switch . . . . .	<b>V2-T1-82</b>
Auxiliary Power Heavy-Duty Safety Switch . . . . .	<b>V2-T1-85</b>
Left-Handed Safety Switch . . . . .	<b>V2-T1-89</b>
Heavy-Duty Surge Switch . . . . .	<b>V2-T1-90</b>
OEM Line Isolation (OLI) Switch . . . . .	<b>V2-T1-92</b>
Pringle Bolted Pressure Switch . . . . .	<b>V2-T1-95</b>
Type DS, Fusible and Non-Fusible . . . . .	<b>V2-T1-98</b>
Type Visi-Flex DE-ION . . . . .	<b>V2-T1-101</b>
Flange Mounted—Variable Depth . . . . .	<b>V2-T1-105</b>
Flange Mounted—Fixed Depth . . . . .	<b>V2-T1-109</b>

#### Features, Benefits and Functions

- Deionizing arc chutes; arc chutes confine and suppress the arcs produced by opening contacts under load
- Mechanically interlocked cover to prevent easy access when the switch is in the ON position
- Clearly visible palm fitting red handle
- Premium 316-Grade stainless steel enclosures offer better corrosion resistance in the presence of most chemicals, salts and acids, and is more resistant to marine atmospheres
- Visible double-break quick-make, quick-break blades
- Visible ON/OFF indication
- 30–1200A NEMA 12 designs convertible to NEMA 3R by opening factory-installed drain hole
- Tri-lingual nameplates

#### Standards and Certifications

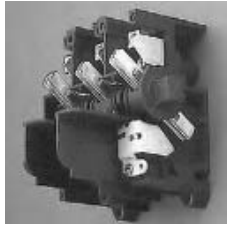
- UL listed File No. E5239
- Meets UL 98 for enclosed switches and NEMA Std. KS-1



#### Seismic Qualifications

- Heavy-duty switches exceed the requirements of Uniform Building Code (UBC) and California Code Title 24 OSP-0011-10, OSP-0012-10





**Visible Double-Break Rotary Blade Mechanism**

- Two points of contact provide a positive open and close, easier operation, and also help prevent contact burning for longer contact life



**Clear Line Shield**

- Protects against accidental contact with energized parts. Probe holes enable the user to test if the line side is energized without removing the shield. Not typically provided on general-duty switches, but available as a field kit or factory installed



**Built-In Fuse Pullers (NEMA 12 and 4X 30–200A Only)**

- Provide easy removal of fuses



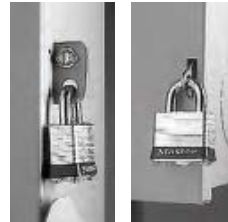
**Clearly Visible Handle**

- The position (ON or OFF) can be clearly seen from a distance and the length provides for easy operation



**Triple Padlocking Capability**

- Personnel safety feature because the large hasp can accommodate up to three 3/8-inch (9.5 mm) shank locks



**Additional Locking Capability**

- Cabinet door can be further padlocked at the top and bottom as applicable



**Interlocking Mechanism**

- Door cannot be opened when the handle is in the ON position. Front and side operable defeater mechanism provides for user access when necessary on single-throw switches



**Tangential Knockouts**

- An ample number are provided on the top, bottom and sides of both NEMA Types 1 and 3R enclosures through 200A



**Bolt-On Hub Kits**

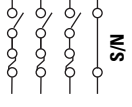
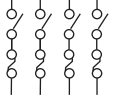
- For switches in a NEMA Type 3R, 30–200A. Use a Myers type hub for all others

### Product Selection

DH221NRK



### 240 Vac Heavy-Duty, Single-Throw, Fusible—NEMA 1, 3R, 12/3R

System	Maximum Horsepower Ratings						DC 250V	NEMA 1 Enclosure Indoor Catalog Number	NEMA 3R Enclosure Rainproof Catalog Number	NEMA 12/3R Enclosure Industrial, Dust-Tight Catalog Number
	Ampere Rating	Fuse Type Provision	AC Standard Fuse		Time Delay					
			Single-Phase	Three-Phase	Single-Phase	Three-Phase				
<b>Two-Pole—240 Vac, 250 Vdc (Suitable for Service Entrance Use with a Neutral Kit Installed)</b>										
	30	H	1-1/2	—	—	—	5	DH221FGK <sup>①</sup>	③	③
	60	—	—	—	—	—	—	③	③	③
	100	—	—	—	—	—	—	③	③	③
	200	—	—	—	—	—	—	③	③	③
	400	H	—	50 <sup>①②</sup>	—	125 <sup>①②</sup>	50	DH225FGK	DH225FRK	DH225FDK <sup>⑤</sup>
	600	H	—	75 <sup>①②</sup>	—	200 <sup>①②</sup>	—	DH226FGK	DH226FRK	DH226FDK <sup>⑤</sup>
	800	L	—	100 <sup>①②</sup>	—	—	—	DH227FGK	—	DH227FDK <sup>⑤</sup>
<b>Three-Wire (Two Blades, Two Fuses, S/N)—240 Vac, 250 Vdc</b>										
	30	H	1-1/2	3 <sup>④</sup>	3	7-1/2 <sup>④</sup>	5	DH221NGK <sup>①</sup>	DH221NRK <sup>①</sup>	DH221NDK <sup>①⑤</sup>
	60	H	3	7-1/2 <sup>④</sup>	10	15 <sup>④</sup>	10	DH222NGK	DH222NRK	DH222NDK <sup>⑤</sup>
	100	H	7-1/2	15 <sup>④</sup>	15	30 <sup>④</sup>	20	DH223NGK	DH223NRK	DH223NDK <sup>⑤</sup>
	200	H	15	25 <sup>④</sup>	15	60 <sup>④</sup>	40	DH224NGK	DH224NRK	DH224NDK <sup>⑤</sup>
	400	H	—	50 <sup>④</sup>	—	125 <sup>④</sup>	50	DH225NGK	DH225NRK	DH225NDK <sup>⑤</sup>
	600	H	—	75 <sup>④</sup>	—	200 <sup>④</sup>	—	DH226NGK	DH226NRK	DH226NDK <sup>⑤</sup>
	800	L	—	100 <sup>④</sup>	—	—	—	DH227NGK	DH227NRK	DH227NDK <sup>⑤</sup>
<b>Three-Pole—240 Vac, 250 Vdc (Suitable for Service Entrance Use with a Neutral Kit Installed)</b>										
	30	H	1-1/2	3	3	7-1/2	5	DH321FGK <sup>①</sup>	DH321FRK <sup>①</sup>	DH321FDK <sup>①⑤</sup>
	60	H	3	7-1/2	10	15	10	DH322FGK	DH322FRK	DH322FDK <sup>⑤</sup>
	100	H	7-1/2	15	15	30	20	DH323FGK	DH323FRK	DH323FDK <sup>⑤</sup>
	200	H	15	25	15	60	40	DH324FGK	DH324FRK	DH324FDK <sup>⑤</sup>
	400	H	—	50	—	125	50	DH325FGK	DH325FRK	DH325FDK <sup>⑤</sup>
	600	H	—	75	—	200	—	DH326FGK	DH326FRK	DH326FDK <sup>⑤</sup>
	800	L	—	100	—	—	—	DH327FGK	DH327FRK	DH327FDK <sup>⑤</sup>
	1200	L	—	—	—	—	—	DH328FGK	DH328FRK	DH328FDK <sup>⑤</sup>
<b>Four-Wire (Three Blades, Three Fuses, S/N)—240 Vac, 250 Vdc</b>										
	30	H	1-1/2	3	3	7-1/2	5	DH321NGK <sup>①</sup>	DH321NRK <sup>①</sup>	DH321NDK <sup>①⑤</sup>
	60	H	3	7-1/2	10	15	10	DH322NGK	DH322NRK	DH322NDK <sup>⑤</sup>
	100	H	7-1/2	15	15	30	20	DH323NGK	DH323NRK	DH323NDK <sup>⑤</sup>
	200	H	15	25	15	60	40	DH324NGK	DH324NRK	DH324NDK <sup>⑤</sup>
	400	H	—	50	—	125	50	DH325NGK	DH325NRK	DH325NDK <sup>⑤</sup>
	600	H	—	75	—	200	—	DH326NGK	DH326NRK	DH326NDK <sup>⑤</sup>
	800	L	—	100	—	—	—	DH327NGK	DH327NRK	DH327NDK <sup>⑤⑥</sup>
	1200	L	—	—	—	—	—	DH328NGK	DH328NRK	DH328NDK <sup>⑤</sup>
<b>Four-Pole—240 Vac, 250 Vdc <sup>⑦</sup></b>										
	30	H	3	3	10	7-1/2	5	DH421FGK <sup>①</sup>	⑤	DH421FDK <sup>①⑤</sup>
	60	H	7-1/2	7-1/2	20	15	10	DH422FGK	⑤	DH422FDK <sup>⑤</sup>
	100	H	15	15	30	30	20	DH423FGK	⑤	DH423FDK <sup>⑤</sup>
	200	H	30	25	50	60	40	DH424FGK	⑤	DH424FDK <sup>⑤</sup>
	400	H	50	50	—	125	50	DH425FGK	⑤⑥	⑤⑥
	600	H	—	75	—	200	—	DH426FGK	⑤⑥	⑤⑥


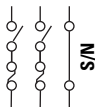

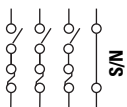
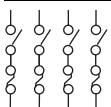
**Notes**

- ① 30A heavy-duty switches with Type J fuse provisions are available from the factory only.
- ② Horsepower ratings apply only when neutral is field installed and switch is used on a grounded B phase system.
- ③ Use three-pole catalog numbers below.
- ④ Grounded B phase ratings, UL listed.
- ⑤ Use NEMA 12. NEMA 12 enclosures (30–1200A) can be field modified to meet NEMA 3R rainproof requirements when a factory provided drain hole is opened.
- ⑥ Contact the Safety Switch Flex Center (1-888-329-9272 or FlexSwitches@eaton.com) for availability of this product.
- ⑦ NOT suitable for service entrance use per NEC 215.10 and 230.95.

DH322FWK



### 240 Vac Heavy-Duty, Single-Throw, Fusible—NEMA 4, 4X, 4X 316 Stainless-Steel

System	Maximum Horsepower Ratings						DC 250V	NEMA 4 Enclosure Watertight, Painted Steel Catalog Number	NEMA 4X Enclosure Corrosion- Resistant, Stainless Steel Catalog Number	NEMA 4X Enclosure Corrosion- Resistant, 316-Grade Stainless Steel Catalog Number
	Ampere Rating	Fuse Type Provision	AC		Time Delay					
			Single- Phase	Three- Phase	Single- Phase	Three- Phase				
<b>Two-Pole—240 Vac, 250 Vdc (Suitable for Service Entrance Use with a Neutral Kit Installed)</b>										
	30	H	1-1/2	—	—	—	5	—	③	③
	60	—	—	—	—	—	—	—	③ or ④	③ or ④
	100	—	—	—	—	—	—	—	④	④
	200	—	—	—	—	—	—	—	④	④
	400	H	—	50 ①	—	125 ①	50	DH225FPK	④	④
	600	H	—	75 ①	—	200 ①	—	DH226FPK	④	④
	800	L	—	100 ①	—	—	—	—	④	④
<b>Three-Wire (Two Blades, Two Fuses, S/N)—240 Vac, 250 Vdc</b>										
	30	H	1-1/2	3 ②	3	7-1/2 ②	5	—	DH221NWK ⑤	DH221NWK316 ⑤
	60	H	3	7-1/2 ②	10	15 ②	10	—	DH222NWK	DH222NWK316
	100	H	7-1/2	15 ②	15	30 ②	20	—	DH223NWK	DH223NWK316
	200	H	15	25 ②	15	60 ②	40	—	DH224NWK	DH224NWK316
	400	H	—	50 ②	—	125 ②	50	DH225NPK	DH225NWK	DH225NWK316
	600	H	—	75 ②	—	200 ②	—	DH226NPK	DH226NWK	DH226NWK316
	800	L	—	100 ②	—	—	—	DH227NPK	DH227NWK	DH227NWK316
<b>Three-Pole—240 Vac, 250 Vdc (Suitable for Service Entrance Use with a Neutral Kit Installed)</b>										
	30	H	1-1/2	3	3	7-1/2	5	—	DH321FWK ⑤	DH321FWK316 ⑤
	60	H	3	7-1/2	10	15	10	—	DH322FWK	DH322FWK316
	100	H	7-1/2	15	15	30	20	—	DH323FWK	DH323FWK316
	200	H	15	25	15	60	40	—	DH324FWK	DH324FWK316
	400	H	—	50	—	125	50	DH325FPK	DH325FWK	DH325FWK316
	600	H	—	75	—	200	—	DH326FPK	DH326FWK	DH326FWK316
	800	L	—	100	—	—	—	DH327FPK	DH327FWK	DH327FWK316
	1200	L	—	—	—	—	—	—	DH328FWK	DH328FWK316
<b>Four-Wire (Three Blades, Three Fuses, S/N)—240 Vac, 250 Vdc</b>										
	30	H	1-1/2	3	3	7-1/2	5	—	DH321NWK ⑤	DH321NWK316 ⑤
	60	H	3	7-1/2	10	15	10	—	DH322NWK	DH322NWK316
	100	H	7-1/2	15	15	30	20	—	DH323NWK	DH323NWK316
	200	H	15	25	15	60	40	—	DH324NWK	DH324NWK316
	400	H	—	50	—	125	50	DH325NPK	DH325NWK	DH325NWK316
	600	H	—	75	—	200	—	DH326NPK	DH326NWK	DH326NWK316
	800	L	—	100	—	—	—	—	④	④
	1200	L	—	—	—	—	—	—	DH328NWK	DH328NWK316
<b>Four-Pole—240 Vac, 250 Vdc ⑥</b>										
	30	H	3	3	10	7-1/2	5	—	④	④
	60	H	7-1/2	7-1/2	20	15	10	—	④	④
	100	H	15	15	30	30	20	—	④	④
	200	H	30	25	50	60	40	—	④	④
	400	H	50	50	—	125	50	—	④	④
	600	H	—	75	—	200	—	—	④	④

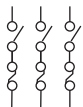
#### Notes

- ① Horsepower ratings apply only when neutral is field installed and switch is used on a grounded B phase system.
- ② Grounded B phase ratings, UL listed.
- ③ Use three-pole catalog numbers below.
- ④ Contact the Safety Switch Flex Center (1-888-329-9272 or FlexSwitches@eaton.com) for availability of this product.
- ⑤ 30A heavy-duty switches with Type J fuse provisions are available from the factory only.
- ⑥ NOT suitable for service entrance use per NEC 215.10 and 230.95.

DH362NRK




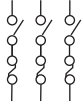
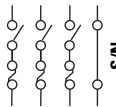
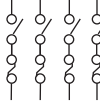
**600 Vac Heavy-Duty, Fusible, Single-Throw, 277/480–600V—NEMA 1, 3R, 12/3R**

System	Ampere Rating	Fuse Class Provision	Maximum Horsepower Ratings with Time Delay Fuses						NEMA 1 Enclosure Indoor Catalog Number	NEMA 3R Enclosure Rainproof Catalog Number	NEMA 12/3R <sup>①</sup> Enclosure Industrial, Dust-Tight Catalog Number
			Single-Phase AC		Three-Phase AC		DC				
			480V	600V	480V	600V	250V	600V			
<b>Two-Pole—480 Vac—600 Vac or Vdc<sup>②</sup> (Suitable for Service Entrance Use with a Neutral Kit Installed)</b>											
	30	H	7-1/2	10	—	—	—	15	DH261FGK <sup>③</sup>	DH261FRK <sup>③</sup>	DH261FDK <sup>③</sup>
	60	H	20	25	—	—	—	25	DH262FGK	DH262FRK	DH262FDK
	100	H	30	40	—	—	20	25	DH263FGK	DH263FRK	DH263FDK
	200	H	50	50	—	—	40	50	DH264FGK	DH264FRK	DH264FDK
	400	H	—	—	—	—	50	—	DH265FGK	DH265FRK	DH265FDK
	600	H	—	—	—	—	50	—	DH266FGK	DH266FRK	DH266FDK
	800	L	—	—	—	—	—	—	DH267FGK	DH267FRK	DH267FDK
	1200	L	—	—	—	—	—	—	④	—	④
<b>Three-Pole—480 Vac—600 Vac, 250 Vdc (Suitable for Service Entrance Use with a Neutral Kit Installed)</b>											
	30	H	7-1/2	10	15	20	—	—	DH361FGK <sup>③</sup>	DH361FRK <sup>③</sup>	DH361FDK <sup>③</sup>
	60	H	20	25	30	50	—	—	DH362FGK	DH362FRK	DH362FDK
	100	H	30	40	60	75	—	—	DH363FGK	DH363FRK	DH363FDK
	200	H	50	50	125	150	—	—	DH364FGK	DH364FRK	DH364FDK
	400	H	—	—	250	350	—	—	DH365FGK	DH365FRK	DH365FDK
	600	H	—	—	400	500	—	—	DH366FGK	DH366FRK	DH366FDK
	800	L	—	—	500	500	—	—	DH367FGK	DH367FRK	DH367FDK
	1200	L	—	—	500	500	—	—	DH368FGK <sup>⑥</sup>	DH368FRK <sup>⑥</sup>	DH368FDK <sup>⑥</sup>
<b>Four-Wire (Three Blades, Three Fuses, S/N) 480 Vac—600 Vac, 250 Vdc</b>											
	30	H	7-1/2	10	15	20	—	—	DH361NGK <sup>③</sup>	DH361NRK <sup>③</sup>	DH361NDK <sup>③</sup>
	60	H	20	25	30	50	—	—	DH362NGK	DH362NRK	DH362NDK
	100	H	30	40	60	75	—	—	DH363NGK	DH363NRK	DH363NDK
	200	H	50	50	125	150	—	—	DH364NGK	DH364NRK	DH364NDK
	400	H	—	—	250	350	—	—	DH365NGK	DH365NRK	DH365NDK
	600	H	—	—	400	500	—	—	DH366NGK	DH366NRK	DH366NDK
	800	L	—	—	500	500	—	—	DH367NGK	DH367NRK	④
	1200	L	—	—	500	500	—	—	DH368NGK <sup>⑥</sup>	DH368NRK <sup>⑥</sup>	DH368NDK <sup>⑥</sup>
<b>Four-Pole—480 Vac—600 Vac, 250 Vdc<sup>⑥</sup></b>											
	30	H	20 <sup>⑤</sup>	25 <sup>⑤</sup>	15	20	—	—	DH461FGK <sup>③</sup>	①	④
	60	H	40 <sup>⑤</sup>	50 <sup>⑤</sup>	30	50	—	—	DH462FGK	①	④
	100	H	50 <sup>⑤</sup>	50 <sup>⑤</sup>	60	75	—	—	DH463FGK	①	DH463FDK
	200	H	—	—	125	150	40	—	DH464FGK	①	DH464FDK
	400	H	—	—	250	350	50	—	DH465FGK	①④	④
	600	H	—	—	400	500	—	—	DH466FGK	①④	④
	800	L	—	—	—	—	—	—	③	①④	④

**Notes**

- ① NEMA 12 enclosures (30–1200A) can be field modified to meet NEMA 3R rainproof requirements when a factory provided drain hole is opened.
- ② DC rating for 800A switches is 250V.
- ③ 30A heavy-duty switches with Type J fuse provisions are available from the factory only.
- ④ Contact the Safety Switch Flex Center (1-888-329-9272 or FlexSwitches@eaton.com) for availability of this product.
- ⑤ Ratings are for two-phase AC.
- ⑥ NOT suitable for service entrance use per NEC 215.10 and 230.95.

### 600 Vac Heavy-Duty, Fusible, Single-Throw, 277/480–600V—NEMA 4, 4X, 4X 316 Stainless-Steel

System	Ampere Rating	Fuse Class Provision	Maximum Horsepower Ratings with Time Delay Fuses						NEMA 4 Enclosure Watertight, Painted Steel Catalog Number	NEMA 4X Enclosure Corrosion-Resistant, Stainless Steel Catalog Number	NEMA 4X Enclosure Corrosion-Resistant, 316-Grade Stainless Steel Catalog Number
			Single-Phase AC		Three-Phase AC		DC				
			480V	600V	480V	600V	250V	600V			
<b>Two-Pole—480 Vac—600 Vac or Vdc</b> <sup>①</sup> (Suitable for Service Entrance Use with a Neutral Kit Installed)											
	30	H	7-1/2	10	—	—	—	15	—	DH261FWK <sup>②</sup>	DH261FWK316 <sup>②</sup>
	60	H	20	25	—	—	—	25	—	③ or ④	③ or ④
	100	H	30	40	—	—	20	—	—	③ or ④	③ or ④
	200	H	50	50	—	—	—	50	—	DH264FWK	DH264FWK316
	400	H	—	—	—	—	50	—	④	③ or ④	③ or ④
	600	H	—	—	—	—	—	—	④	③ or ④	③ or ④
	800	L	—	—	—	—	—	—	④	③ or ④	③ or ④
	1200	L	—	—	—	—	—	—	—	④	③
<b>Three-Pole—480 Vac—600 Vac, 250 Vdc</b> (Suitable for Service Entrance Use with a Neutral Kit Installed)											
	30	H	7-1/2	10	15	20	—	—	—	DH361FWK <sup>②</sup>	DH361FWK316 <sup>②</sup>
	60	H	20	25	30	50	—	—	—	DH362FWK	DH362FWK316
	100	H	30	40	60	75	—	—	—	DH363FWK	DH363FWK316
	200	H	50	50	125	150	—	—	—	DH364FWK	DH364FWK316
	400	H	—	—	250	350	—	—	DH365FPK	DH365FWK	DH365FWK316
	600	H	—	—	400	500	—	—	DH366FPK	DH366FWK	DH366FWK316
	800	L	—	—	500	500	—	—	DH367FPK	DH367FWK	DH367FWK316
	1200	L	—	—	500	500	—	—	—	DH368FWK <sup>⑤</sup>	DH368FWK316 <sup>⑤</sup>
<b>Four-Wire (Three Blades, Three Fuses, S/N) 480 Vac—600 Vac, 250 Vdc</b>											
	30	H	7-1/2	10	15	20	—	—	—	DH361NWK <sup>②</sup>	DH361NWK316 <sup>②</sup>
	60	H	20	25	30	50	—	—	—	DH362NWK	DH362NWK316
	100	H	30	40	60	75	—	—	—	DH363NWK	DH363NWK316
	200	H	50	50	125	150	—	—	—	DH364NWK	DH364NWK316
	400	H	—	—	250	350	—	—	DH365NPK	DH365NWK	DH365NWK316
	600	H	—	—	400	500	—	—	DH366NPK	DH366NWK	DH366NWK316
	800	L	—	—	500	500	—	—	—	DH367NWK <sup>③</sup>	③
	1200	L	—	—	500	500	—	—	—	DH368NWK <sup>⑤</sup>	DH368NWK316 <sup>⑤</sup>
<b>Four-Pole—480 Vac—600 Vac, 250 Vdc</b>											
	30	H	20 <sup>⑥</sup>	25 <sup>⑥</sup>	15	20	—	—	—	③	③
	60	H	40 <sup>⑥</sup>	50 <sup>⑥</sup>	30	50	—	—	—	③	③
	100	H	50 <sup>⑥</sup>	50 <sup>⑥</sup>	60	75	—	—	—	③	③
	200	H	—	—	125	150	40	—	—	③	③
	400	H	—	—	250	350	50	—	—	③	③
	600	H	—	—	400	500	—	—	—	③	③
	800	L	—	—	—	—	—	—	—	③	③




#### Notes

- ① DC rating for 800A switches is 250V.
- ② 30A heavy-duty switches with Type J fuse provisions are available from the factory only.
- ③ Contact the Safety Switch Flex Center (1-888-329-9272 or FlexSwitches@eaton.com) for availability of this product.
- ④ Use three-pole catalog numbers below for 600 Vac, 250 Vdc maximum applications.
- ⑤ NOT suitable for service entrance use per NEC 215.10 and 230.95.
- ⑥ Ratings are for two-phase AC.

DH362UGK



**600 Vac Heavy-Duty, Non-Fusible, Single-Throw, 277/480–600V – NEMA 1, 3R, 12/3R**

System	Ampere Rating	Maximum Horsepower Ratings									NEMA 1 Enclosure Indoor Catalog Number	NEMA 3R Enclosure Rainproof Catalog Number	NEMA 12/3R Enclosure Industrial, Dust-Tight Catalog Number
		Single-Phase AC			Three-Phase AC			DC					
		240V	480V	600V	240V	480V	600V	250V	600V				
<b>Two-Pole—480 Vac—600 Vac or Vdc <sup>①</sup> (Suitable for Service Entrance Use with a Neutral Kit Installed)</b>													
	30	3	7-1/2	10	—	—	—	—	15	DH261UGK	DH261URK	DH261UDK <sup>⑤</sup>	
	60	10	20	25	—	—	—	—	25	DH262UGK	DH262URK	DH262UDK <sup>⑤</sup>	
	100	20	30	40	—	—	—	20	25	DH263UGK	DH263URK	DH263UDK <sup>⑤</sup>	
	200	15	50	50	—	—	—	—	50	DH264UGK	DH264URK	DH264UDK <sup>⑤</sup>	
	400	—	—	—	—	—	—	50	50	DH265UGK	DH265URK	DH265UDK <sup>⑤</sup>	
	600	—	—	—	—	—	—	—	50	DH266UGK	DH266URK	DH266UDK <sup>⑤</sup>	
	800	—	—	—	—	—	—	—	—	DH267UGK	DH267URK	DH267UDK <sup>⑤</sup>	
	1200	—	—	—	—	—	—	—	—	<sup>②</sup>	—	<sup>②</sup>	
<b>Three-Pole—480 Vac—600 Vac, 250 Vdc (Suitable for Service Entrance Use with a Neutral Kit Installed)</b>													
	30	3	7-1/2	10	10	20	30	5	—	DH361UGK	DH361URK	DH361UDK <sup>⑤</sup>	
	60	10	20	25	20	50	60	10	—	DH362UGK	DH362URK	DH362UDK <sup>⑤</sup>	
	100	20	40	50	40	75	100	20	—	DH363UGK	DH363URK	DH363UDK <sup>⑤</sup>	
	200	15	50	50	60	125	150	40	—	DH364UGK	DH364URK	DH364UDK <sup>⑤</sup>	
	400	—	—	—	125	250	350	50	—	DH365UGK	DH365URK	DH365UDK <sup>⑤</sup>	
	600	—	—	—	200	400	500	—	—	DH366UGK	DH366URK	DH366UDK <sup>⑤</sup>	
	800	—	—	—	—	500	500	—	—	DH367UGK	DH367URK	DH367UDK <sup>⑤</sup>	
	1200	—	—	—	—	500	500	—	—	DH368UGK <sup>③</sup>	DH368URK <sup>③</sup>	DH368UDK <sup>③</sup>	
<b>Four-Pole—480 Vac—600 Vac, 250 Vdc <sup>③</sup></b>													
	30	10 <sup>④</sup>	20 <sup>④</sup>	25 <sup>④</sup>	10	20	30	5	—	DH461UGK	<sup>⑤</sup>	DH461UDK <sup>⑤</sup>	
	60	20 <sup>④</sup>	40 <sup>④</sup>	50 <sup>④</sup>	20	50	60	10	—	DH462UGK	<sup>⑤</sup>	DH462UDK <sup>⑤</sup>	
	100	40 <sup>④</sup>	50 <sup>④</sup>	50 <sup>④</sup>	40	75	100	20	—	DH463UGK	<sup>⑤</sup>	DH463UDK <sup>⑤</sup>	
	200	50 <sup>④</sup>	50 <sup>④</sup>	50 <sup>④</sup>	60	125	150	40	—	DH464UGK	<sup>⑤</sup>	DH464UDK <sup>⑤</sup>	
	400	50 <sup>④</sup>	—	—	125	250	350	50	—	DH465UGK	<sup>②⑤</sup>	<sup>②⑤</sup>	
	600	—	—	—	200	400	500	—	—	DH466UGK	<sup>②⑤</sup>	<sup>②⑤</sup>	
	800	—	—	—	—	—	—	—	—	<sup>②</sup>	<sup>②⑤</sup>	<sup>②⑤</sup>	



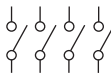
**Notes**

- <sup>①</sup> DC rating for 800A switches is 250V.
- <sup>②</sup> Contact the Safety Switch Flex Center (1-888-329-9272 or FlexSwitches@eaton.com) for availability of this product.
- <sup>③</sup> NOT suitable for service entrance use per NEC 215.10 and 230.95.
- <sup>④</sup> Ratings are for two-phase AC.
- <sup>⑤</sup> NEMA 12 enclosures (30–1200A) can be field modified to meet NEMA 3R rainproof requirements when a factory provided drain hole is opened.

DH361UWK



### 600 Vac Heavy-Duty, Non-Fusible, Single-Throw, 277/480–600V — NEMA 4, 4X, 4X 316 Stainless Steel

System	Ampere Rating	Maximum Horsepower Ratings									NEMA 4 Enclosure Watertight, Painted Steel Catalog Number	NEMA 4X Enclosure Corrosion-Resistant, Stainless Steel Catalog Number	NEMA 4X Enclosure Corrosion-Resistant, 316-Grade Stainless Steel Catalog Number
		Single-Phase AC			Three-Phase AC			DC					
		240V	480V	600V	240V	480V	600V	250V	600V				
<b>Two-Pole—480 Vac—600 Vac or Vdc <sup>①</sup> (Suitable for Service Entrance Use with a Neutral Kit Installed)</b>													
	30	3	7-1/2	10	—	—	—	—	15	—	② or ③	② or ③	
	60	10	20	25	—	—	—	—	25	—	② or ③	② or ③	
	100	20	30	40	—	—	—	20	25	—	② or ③	② or ③	
	200	15	50	50	—	—	—	—	50	—	② or ③	② or ③	
	400	—	—	—	—	—	—	50	—	③	② or ③	② or ③	
	600	—	—	—	—	—	—	—	—	③	② or ③	② or ③	
	800	—	—	—	—	—	—	—	—	③	② or ③	② or ③	
	1200	—	—	—	—	—	—	—	—	—	②	②	
<b>Three-Pole—480 Vac—600 Vac, 250 Vdc (Suitable for Service Entrance Use with a Neutral Kit Installed)</b>													
	30	3	7-1/2	10	10	20	30	5	—	—	DH361UWK	DH361UWK316	
	60	10	20	25	20	50	60	10	—	—	DH362UWK	DH362UWK316	
	100	20	40	50	40	75	100	20	—	—	DH363UWK	DH363UWK316	
	200	15	50	50	60	125	150	40	—	—	DH364UWK	DH364UWK316	
	400	—	—	—	125	250	350	50	—	DH365UPK	DH365UWK	DH365UWK316	
	600	—	—	—	200	400	500	—	—	DH366UPK	DH366UWK	DH366UWK316	
	800	—	—	—	—	500	500	—	—	DH367UPK	DH367UWK	DH367UWK316	
	1200	—	—	—	—	500	500	—	—	—	DH368UWK <sup>④</sup>	DH368UWK316 <sup>④</sup>	
<b>Four-Pole—480 Vac—600 Vac, 250 Vdc <sup>④</sup></b>													
	30	10 <sup>⑤</sup>	20 <sup>⑤</sup>	25 <sup>⑤</sup>	10	20	30	5	—	—	DH461UWK	DH461UWK316	
	60	20 <sup>⑤</sup>	40 <sup>⑤</sup>	50 <sup>⑤</sup>	20	50	60	10	—	—	②	②	
	100	40 <sup>⑤</sup>	50 <sup>⑤</sup>	50 <sup>⑤</sup>	40	75	100	20	—	—	②	②	
	200	50 <sup>⑤</sup>	50 <sup>⑤</sup>	50 <sup>⑤</sup>	60	125	150	40	—	—	②	②	
	400	50 <sup>⑤</sup>	—	—	125	250	350	50	—	—	②	②	
	600	—	—	—	200	400	500	—	—	—	②	②	
	800	—	—	—	—	—	—	—	—	—	②	②	

**Notes**

- ① DC rating for 800A switches is 250V.
- ② Contact the Safety Switch Flex Center (1-888-329-9272 or FlexSwitches@eaton.com) for availability of this product.
- ③ Use three-pole catalog numbers below for 600 Vac, 250 Vdc maximum applications. For 600 Vdc, see note ②.
- ④ NOT suitable for service entrance use per NEC 215.10 and 230.95.
- ⑤ Ratings are for two-phase AC.

#### Dimensions

Approximate Dimensions in Inches (mm)

**Note:** Dimensions are for estimating purposes only.

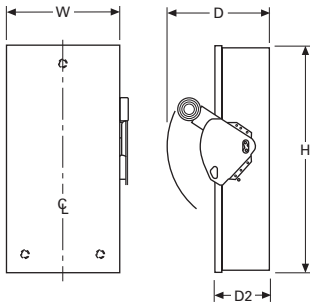
#### Heavy-Duty, Non-Fusible, 600V, Three-Pole, Single-Throw

Ampere Rating	Width (W)	Height (H)	Depth (D)	Depth (D2)	Weight Lbs (kg)
<b>NEMA 1, 3R</b>					
30	8.13 (206.5)	15.88 (403.4)	10.00 (254.0)	5.25 (133.3)	16 (7.264)
60	8.13 (206.5)	15.88 (403.4)	10.00 (254.0)	5.25 (133.3)	16 (7.264)
100	11.13 (282.7)	21.69 (550.9)	10.00 (254.0)	5.25 (133.3)	22 (9.988)
200	16.00 (406.4)	27.66 (702.5)	11.25 (285.5)	6.14 (156.0)	46 (20.884)
400	24.12 (612.6)	44.31 (1125.5)	12.39 (314.7)	7.27 (184.7)	110 (49.94)
600	25.12 (638.0)	51.82 (1316.2)	14.07 (357.4)	8.95 (227.3)	135 (61.29)
800	26.37 (669.8)	55.82 (1417.8)	14.07 (357.4)	8.95 (227.3)	158 (71.732)
1200	43.12 (1095.2)	70.97 (1802.6)	17.12 (434.8)	12.43 (315.7)	430 (195.22)
<b>NEMA 12, 4X Stainless Steel, 4, 4X 316 Stainless Steel</b>					
30	8.76 (222.5)	14.14 (359.2)	10.22 (259.6)	5.50 (139.7)	17 (7.718)
60	8.76 (222.5)	14.14 (359.2)	10.22 (259.6)	5.50 (139.7)	17 (7.718)
100	11.79 (299.5)	24.95 (633.7)	10.22 (259.6)	5.50 (139.7)	28 (12.712)
200	16.95 (430.5)	35.38 (898.7)	11.63 (295.4)	6.44 (163.6)	55 (24.97)
400	24.12 (612.6)	57.47 (1459.7)	12.43 (320.8)	7.19 (182.6)	125 (56.75)
600	25.01 (635.3)	62.97 (1599.4)	12.79 (324.9)	8.95 (227.3)	167 (75.818)
800	26.35 (669.3)	71.72 (1821.7)	12.79 (324.9)	8.95 (227.3)	175 (79.45)
1200	43.11 (1095.0)	73.77 (1873.8)	17.15 (435.6)	12.45 (316.2)	475 (215.65)

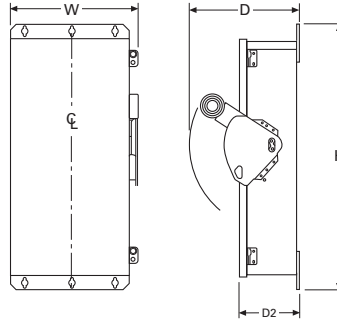
#### Heavy-Duty, Fusible, 240V and 600V, Three-Pole Solid Neutral, Single-Throw

Ampere Rating	Width (W)	Height (H)	Depth (D)	Depth (D2)	Weight Lbs (kg)
<b>NEMA 1, 3R</b>					
30	8.13 (206.5)	15.88 (403.4)	10.00 (254.0)	5.25 (133.3)	20 (9.08)
60	8.13 (206.5)	15.88 (403.4)	10.00 (254.0)	5.25 (133.3)	20 (9.08)
100	11.13 (282.7)	21.69 (550.9)	10.00 (254.0)	5.25 (133.3)	27 (12.258)
200	16.00 (406.4)	27.66 (702.5)	11.25 (285.5)	6.14 (156.0)	46 (20.884)
400	24.12 (612.6)	44.31 (1125.5)	12.39 (314.7)	7.27 (184.7)	110 (49.94)
600	25.12 (638.0)	51.82 (1316.2)	14.07 (357.4)	8.95 (227.3)	135 (61.29)
800	26.37 (669.8)	55.82 (1417.8)	14.07 (357.4)	8.95 (227.3)	158 (71.732)
1200	43.12 (1095.2)	70.97 (1802.6)	17.12 (434.8)	12.43 (315.7)	430 (195.22)
<b>NEMA 12, 4X Stainless Steel, 4, 4X 316 Stainless Steel</b>					
30	8.76 (222.5)	19.08 (359.2)	10.22 (259.6)	5.50 (139.7)	22 (9.988)
60	8.76 (222.5)	19.08 (359.2)	10.22 (259.6)	5.50 (139.7)	22 (9.988)
100	11.79 (299.5)	24.95 (633.7)	10.22 (259.6)	5.50 (139.7)	28 (12.712)
200	16.95 (430.5)	35.38 (898.7)	11.63 (295.4)	6.44 (163.6)	55 (24.97)
400	24.12 (612.6)	57.47 (1459.7)	12.43 (320.8)	7.19 (182.6)	125 (56.75)
600	25.01 (635.3)	62.97 (1599.4)	12.79 (324.9)	8.95 (227.3)	167 (75.818)
800	26.35 (669.3)	71.72 (1821.7)	12.79 (324.9)	8.95 (227.3)	175 (79.45)
1200	43.11 (1095.0)	73.77 (1873.8)	17.15 (435.6)	12.45 (316.2)	475 (215.65)

#### NEMA 1, 3R Heavy-Duty 30–1200A



#### NEMA 4, 4X and 12 Heavy-Duty 30–1200A



**Note:** A factory-installed ground lug is supplied in all heavy-duty safety switches.